

## OWNER'S MANUAL

# MAGNAVOX

*Smart. Very smart.®*

50" DLP™ HDTV

**50ML8105D/17**



### NEED HELP? CALL US!

MAGNAVOX REPRESENTATIVES ARE READY TO HELP YOU WITH ANY QUESTIONS ABOUT YOUR NEW PRODUCT. WE CAN GUIDE YOU THROUGH CONNECTIONS, FIRST-TIME SETUP AND ANY OF THE FEATURES. WE WANT YOU TO START ENJOYING YOUR NEW PRODUCT RIGHT AWAY.

CALL US BEFORE YOU CONSIDER RETURNING THE PRODUCT.  
1-800-705-2000

OR VISIT US ON THE WEB AT [WWW.MAGNAVOX.COM](http://WWW.MAGNAVOX.COM)

### Important!

Return your Warranty Registration Card within 10 days.  
See Why Inside.

# Return your Product Registration Card today to get the very most from your purchase.

Registering your model with MAGNAVOX makes you eligible for all of the valuable benefits listed below, so don't miss out. Complete and return your Product Registration Card at once to ensure:

## \* Proof of Purchase

Returning the enclosed card guarantees that your date of purchase will be on file, so no additional paperwork will be required from you to obtain warranty service.

## \* Product Safety Notification

By registering your product, you'll receive notification - directly from the manufacturer - in the rare case of a product recall or safety defect.

## \* Additional Benefits of Product Ownership

Registering your product guarantees that you'll receive all of the privileges to which you're entitled, including special money-saving offers.

## MAGNAVOX

*Congratulations on your purchase, and welcome to the "family!"*

**Dear MAGNAVOX product owner:**

Thank you for your confidence in MAGNAVOX. You've selected one of the best-built, best-backed products available today. We'll do everything in our power to keep you happy with your purchase for many years to come.

As a member of the MAGNAVOX "family", you're entitled to protection by one of the most comprehensive warranties and outstanding service networks in the industry. What's more, your purchase guarantees you will receive all the information and special offers for which you qualify, plus easy access to accessories from our convenient home shopping network.

Most importantly, you can count on our uncompromising commitment to your total satisfaction.

All of this is our way of saying welcome - and thanks for investing in a MAGNAVOX product.

**P.S. To get the most from your MAGNAVOX purchase, be sure to complete and return your Product Registration Card at once.**

Know these  
**safety** symbols



This "bolt of lightning" indicates uninsulated material within your unit that may cause an electrical shock. For the safety of everyone in your household, please do not remove product covering.



The "exclamation point" calls attention to features for which you should read the enclosed literature closely to prevent operating and maintenance problems.

**CAUTION:** To prevent electric shock, match wide blade of plug to wide slot, fully insert.

**ATTENTION:** Pour éviter les choc électriques introduire la lame la plus large de la fiche dans la borne correspondante de la prise et pousser jusqu'au fond.

### For Customer Use

Enter below the Serial No. which is located on the rear of the cabinet. Retain this information for future reference.


Model No. \_\_\_\_\_

Serial No. \_\_\_\_\_

Visit our World Wide Web Site at <http://www.magnavox.com>

# Important Safety Instructions

## Read before Operating Equipment

1. Read these instructions.
2. Keep these instructions.
3. Heed all warnings.
4. Follow all instructions.
5. Do not use this apparatus near water.
6. Clean only with dry cloth.
7. Do not block any ventilation openings. Install in accordance with the manufacturers' instructions.
8. Do not install near any heat sources such as radiators, heat registers, stoves, or other apparatus (including amplifiers) that produce heat.
9. Do not defeat the safety purpose of the polarized or grounding-type plug. A polarized plug has two blades with one wider than the other. A grounding type plug has two blades and a third grounding prong. The wide blade or the third prong are provided for your safety. If the provided plug does not fit into your outlet, consult an electrician for replacement of the obsolete outlet.
10. Protect the power cord from being walked on or pinched particularly at plugs, convenience receptacles, and the point where they exit from the apparatus.
11. Only use attachments/accessories specified by the manufacturer.
12. Use only with the cart, stand, tripod, bracket, or table specified by the manufacturer, or sold with the apparatus. When a cart is used, use caution when moving the cart/apparatus combination to avoid injury from tip-over. 
13. Unplug this apparatus during lightning storms or when unused for long periods of time.
14. Refer all servicing to qualified service personnel. Servicing is required when the apparatus has been damaged in any way, such as power-supply cord or plug is damaged, liquid has been spilled or objects have fallen into the apparatus, the apparatus has been exposed to rain or moisture, does not operate normally, or has been dropped.
15. This product may contain lead and mercury. Disposal of these materials may be regulated due to environmental considerations. For disposal or recycling information, please contact your local authorities or the Electronic Industries Alliance: [www.eiae.org](http://www.eiae.org)
16. **Damage Requiring Service** - Service may be needed if any of the following situations have occurred:
  - A. The power supply cord or the plug has been damaged; or
  - B. Objects have fallen, or liquid has been spilled into the appliance; or
  - C. The appliance has been exposed to rain; or
  - D. The appliance does not appear to operate normally or exhibits a marked change in performance; or
  - E. The appliance has been dropped, or the enclosure damaged.
17. **Title/Stability** - All televisions must comply with recommended international global safety standards for tilt and stability properties of its cabinet design.
  - Do not compromise these design standards by applying excessive pull force to the front, or top, of the cabinet which could ultimately overturn the product.
  - Also, do not endanger yourself, or children, by placing electronic equipment/toys on the top of the cabinet. Such items could fall from the top of the set and cause product damage and/or personal injury.
18. **Power Lines** - An outdoor antenna should be located away from power lines.
19. **Outdoor Antenna Grounding** - If an outside antenna is connected to the receiver, be sure the antenna system is grounded so as to provide some protection against voltage surge and built up static charges. Section 810 of the National Electric Code, ANSI/NFPA No. 70-1984, provides information with respect to proper grounding of the mast and supporting structure, grounding of the lead-in wire to an antenna discharge unit, size of grounding connectors, location of antenna-discharge unit, connection to grounding electrodes, and requirements for the grounding electrode. See Figure below.
20. **Object and Liquid Entry** - Care should be taken so that objects do not fall and liquids are not spilled into the enclosure through openings.

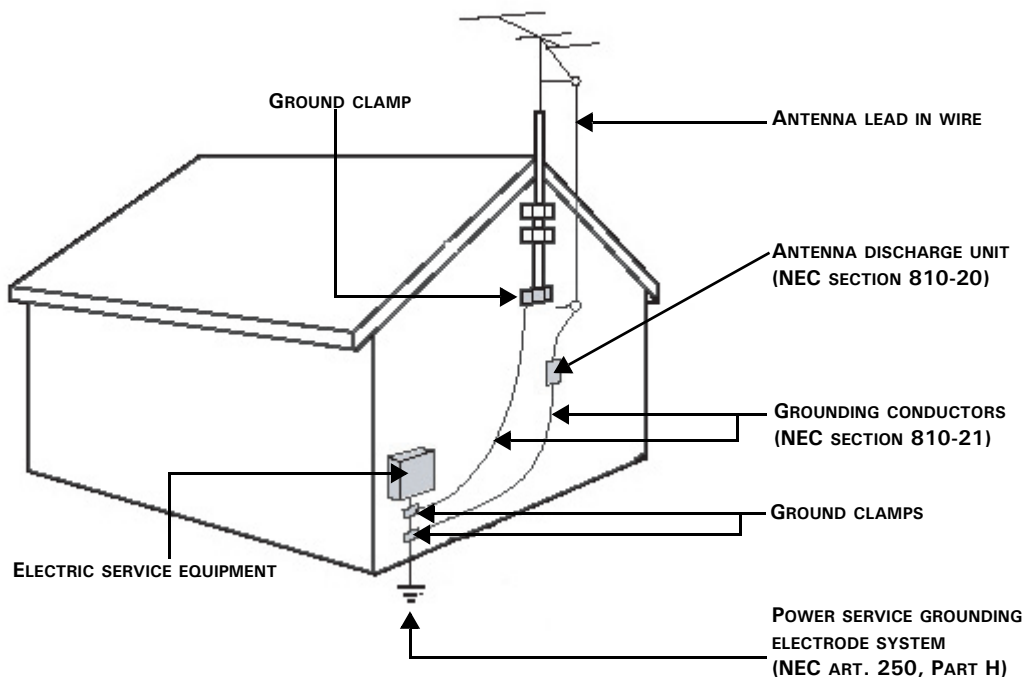
**Warning:** To reduce the risk of fire or electric shock, this apparatus should not be exposed to rain or moisture and objects filled with liquids, such as vases, should not be placed on this apparatus.

# Important Safety Instructions

**21. Battery Usage CAUTION** - To prevent battery leakage that may result in bodily injury, property damage, or damage to the units:

- Install all batteries correctly, with + and - aligned as marked on the unit.
- Do not mix batteries (old and new or carbon and alkaline, etc.).
- Remove batteries when the unit is not used for a long time.

**Note to the CATV system installer:** This reminder is provided to call the CATV system installer's attention to Article 820-40 of the NEC that provides guidelines for proper grounding and, in particular, specifies that the cable ground shall be connected to the grounding system of the building, as close to the point of cable entry as practical.



# Table of Contents

FEATURES . . . . .	1	USING THE OSD MENUS . . . . .	20
Accessories . . . . .	1	Picture Menu . . . . .	20
INSERTING REMOTE CONTROL BATTERIES . . . . .	2	Sound Menu . . . . .	21
REMOTE CONTROL BUTTONS . . . . .	3	Size Menu . . . . .	22
OVERVIEW OF THE TV . . . . .	5	PIP/PBP Menu . . . . .	23
Front Panel . . . . .	5	Parental Control Menu . . . . .	24
Front Panel Buttons and LEDs . . . . .	5	Movie Rating . . . . .	25
Front Panel Connectors . . . . .	7	TV Rating . . . . .	26
Rear Panel . . . . .	8	Channel Setup Menu . . . . .	27
MAKING CONNECTIONS . . . . .	10	Channel Search . . . . .	27
Connecting Headphones . . . . .	10	Favorite Channel List . . . . .	28
Connecting Cable TV/Antenna . . . . .	10	Setup Menu . . . . .	28
Connecting a VCR . . . . .	11	Closed Caption Menu . . . . .	29
Connecting a PVR . . . . .	12	REPLACING THE INTERNAL LAMP . . . . .	31
Connecting a camera or game console . . . . .	13	TROUBLESHOOTING . . . . .	32
Connecting a Set-Top Box . . . . .	14	SPECIFICATIONS . . . . .	33
Connecting a DVD Player . . . . .	15	MAGNAVOX LIMITED WARRANTY . . . . .	34
Connecting a DVD Player . . . . .	16		
Connecting a PC . . . . .	17		
USING THE TV . . . . .	18		
Turning on the TV . . . . .	18		
Turning off the TV . . . . .	18		
Changing Input Source . . . . .	19		
Changing Channels . . . . .	19		
Adjusting Volume . . . . .	19		



# Features

Congratulations on purchasing the MAGNAVOX 50-inch DLP Projection TV which is equipped with the latest DLP (Digital Light Processing) and brings razor sharp images and brilliant colors for your viewing enjoyment.

The MAGNAVOX 50ML8105D/17 has the following useful features:

## **Immersive entertainment experience**

- High definition DLP HD4 technology with 1280 x 720p resolution
- Integrated digital TV tuner to receive and watch high definition broadcast programs
- Progressive scan for razor-sharp and flicker-free images
- 3D comb filter separates colors for a crisp image

## **Bigger experiences, less space**

- Slim, lightweight design with 15.3 inches depth and 114lbs weight.

## **Advanced connectivity**

- Latest HDMI connector, providing superior quality video
- 2x component video (YPbPr) input for high quality video
- D-sub/VGA PC connectivity enables you to use the TV as a PC monitor

## **One touch convenience**

- SmartPicture and SmartSound provide optimized settings
- PIP (Picture In Picture) feature for watching two programs at the same time

### **Note**

- Specifications are subject to change without notice.

## **Accessories**

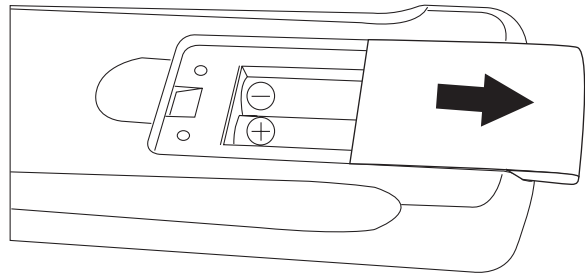
The following items are included with your TV. If any of the items appears to be missing or damaged, contact your nearest vendor.

- Power cord
- Remote control unit
- AAA battery x 2
- User manual (English / Spanish)
- Quick start guide
- Product Registration Card

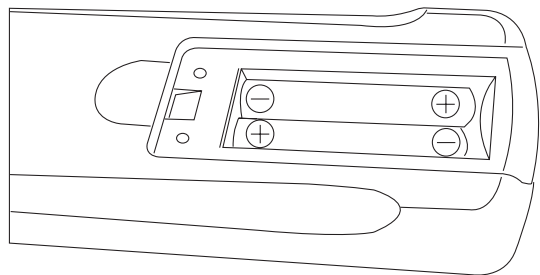
## Inserting Remote Control Batteries

Use the following procedure to insert batteries into the remote control before you start using it.

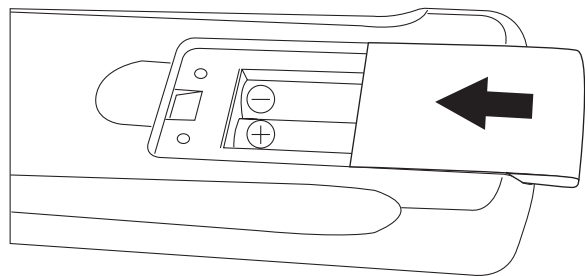
1. The battery cover is on the back of the remote control. Slide the battery cover in the direction of the arrow to remove it.



2. Insert the two AAA batteries provided in the package, with the polarity of the batteries matching the image in the battery compartment.



3. Slide the battery cover in the direction of the arrow until it clicks and is secure.



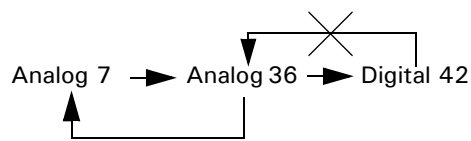


# Remote Control Buttons



- 1 **IR Filter:** Transmits infra-red control signals to the TV.
- 2 **Power:** Press to turn power on/off.
- 3 **Number buttons (0 ~ 9):** Press to access a specific TV channel.
- 4 **R (Recall):** Press to switch to the previously viewed channel.

**Note:** When this button is pressed, you will be returned to the previously viewed channel in the same TV mode (analog or digital).



The recall button only returns you to channels of the same mode.

- 5 **CH (Channel Selection):** Press + to increase the channel number and - to decrease the channel.
- 6 **CC (Closed Captioning):** Press to turn Closed Captioning off, on, or enable during mute.
- 7 **OK:** Press to activate or confirm menu choices.
- 8 **Cursor Up, Down, Right, Left (▼ ▲ ◀ ▶):** Press to navigate through the on-screen menu.
- 9 **MENU:** Press to display the TV's on-screen menu or to turn it off.
- 10 **FAVOR:** Press repeatedly to view the favorite TV channels. Refer to "Favorite Channel List" on page 28 for more information about how to edit the favorite channel list.
- 11 **SIZE:** Press to change the picture aspect ratio.
- 12 **EPG (Electronic Program Guide):** Press to display the EPG table (if available). Use arrow keys to navigate through the EPG.  
The quality and accuracy of the information on the program guide and the information banner are transmitted from the broadcasters. You may see a difference in broadcast time if the broadcaster is from a different time zone.
- 13 **SLEEP:** Press to set the sleep timer feature to turn the TV off automatically.
- 14 **FREEZE:** Press to freeze the video image.

# Remote Control Buttons

- 15 INFO (Information):** Press to show information about the current channel, closed caption availability, source, size ratio, SmartPicture SmartSound, and so on.

The quality and accuracy of the information on the program guide and the information banner are transmitted from the broadcasters. You may see a difference in broadcast time if the broadcaster is from a different time zone.

- 16 Dash key:** Press to select additional digital and analog signals. For example, to select 51-2, press 5, 1, the dash key and then 2 to view the channel.

- 17 MTS (Multi-channel Television System):** Press to toggle through TV audio modes in NTSC system.

- 18 VOL (Volume Adjustment):** Press + to increase volume and – to reduce the volume.

- 19 MUTE:** Press to disable sound. Press again to restore sound.

- 20 Source Shortcut Keys (ATV, DVI/HDMI, YPbPr, DTV, AV, SV, VGA):** Press to quickly switch between the various input sources.

- 21 SOUND:** Press to activate the SmartSound function and cycle through the SmartSound options.

- 22 PICTURE:** Press to activate the SmartPicture function and cycle through the SmartPicture options.

- 23 SOURCE:** Press to select input source from the on-screen menu.

- 24 PIP (Picture in Picture)/PBP (Picture by Picture) Shortcut Keys (refer to "PIP/PBP Menu" on page 23):**

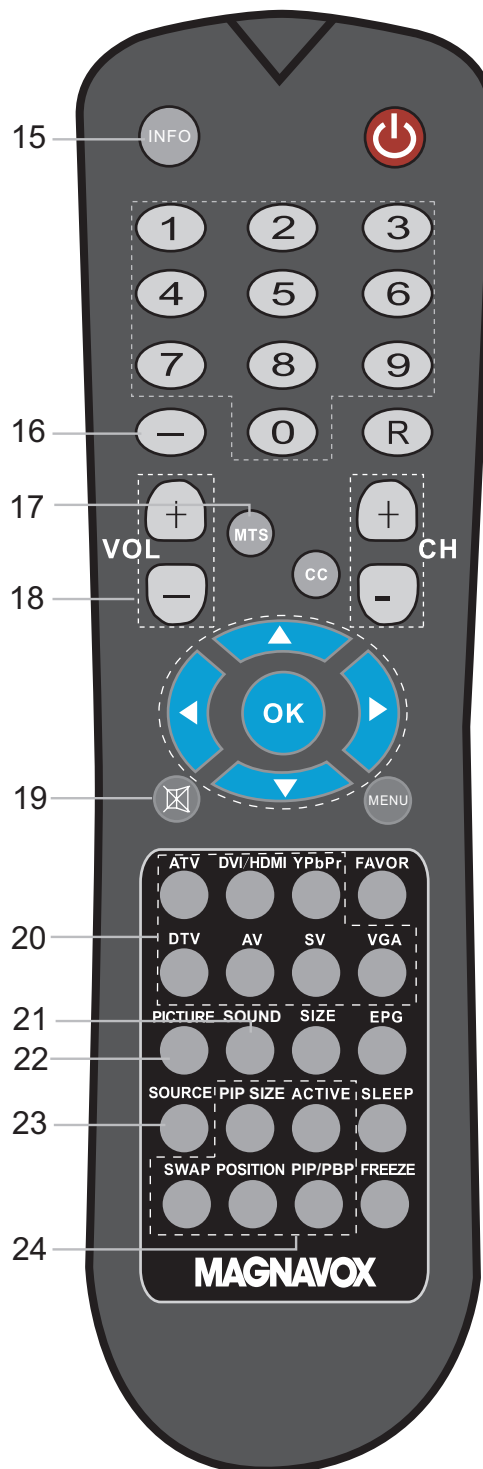
**PIP/PBP:** Enable or disable PIP or PBP mode.

**POSITION:** Press to change the position of the PIP window.

**SWAP:** Swap images when using PIP/PBP.

**ACTIVE:** Select an active PIP/PBP window.

**PIP SIZE:** Press to change the picture size of the PIP window.



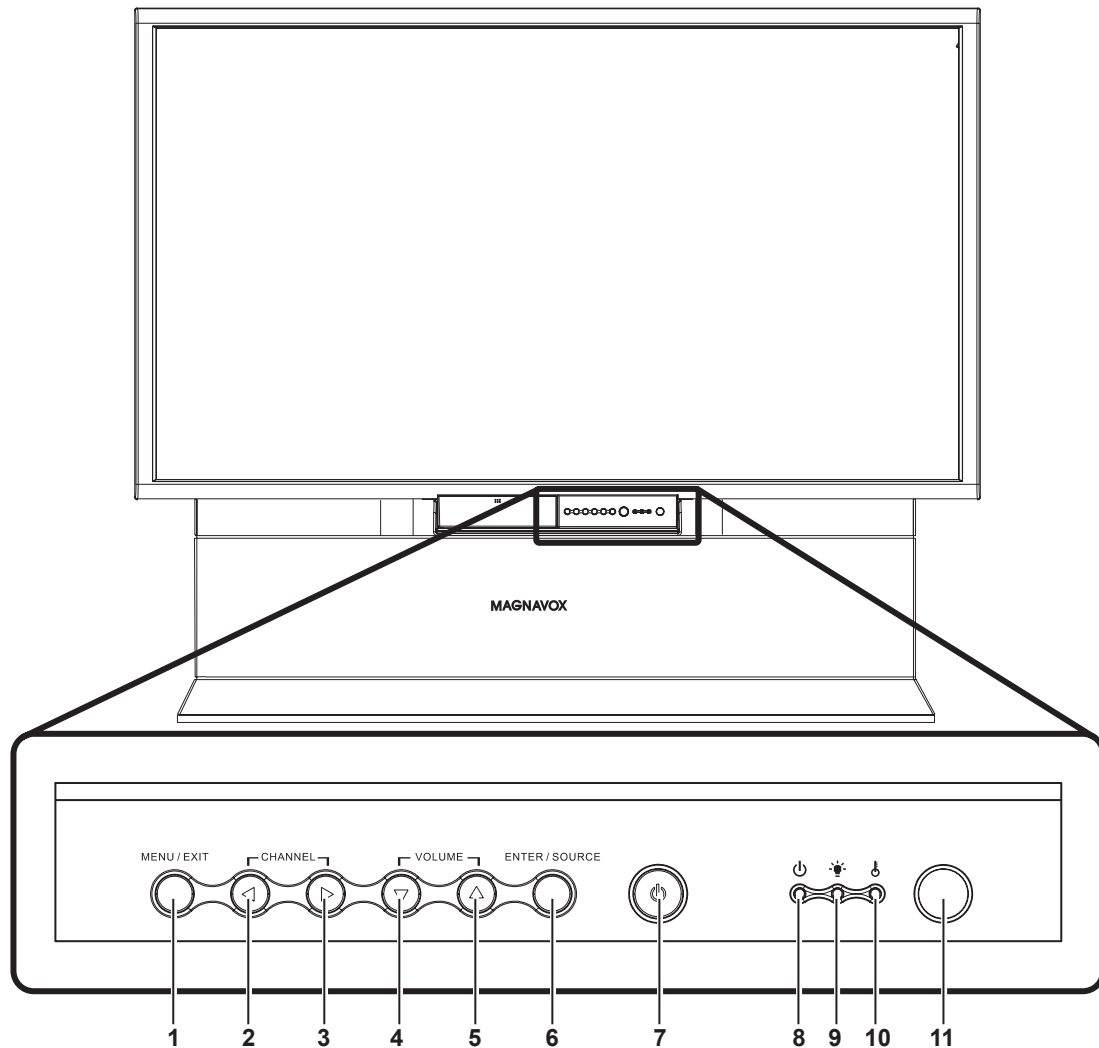
# Overview of the TV

The following sections help you to familiarize yourself with the components of your TV. Refer to this section before you make any connections.

## Front Panel

The control panel and indicator LEDs are on the front panel of the TV.

### Front Panel Buttons and LEDs



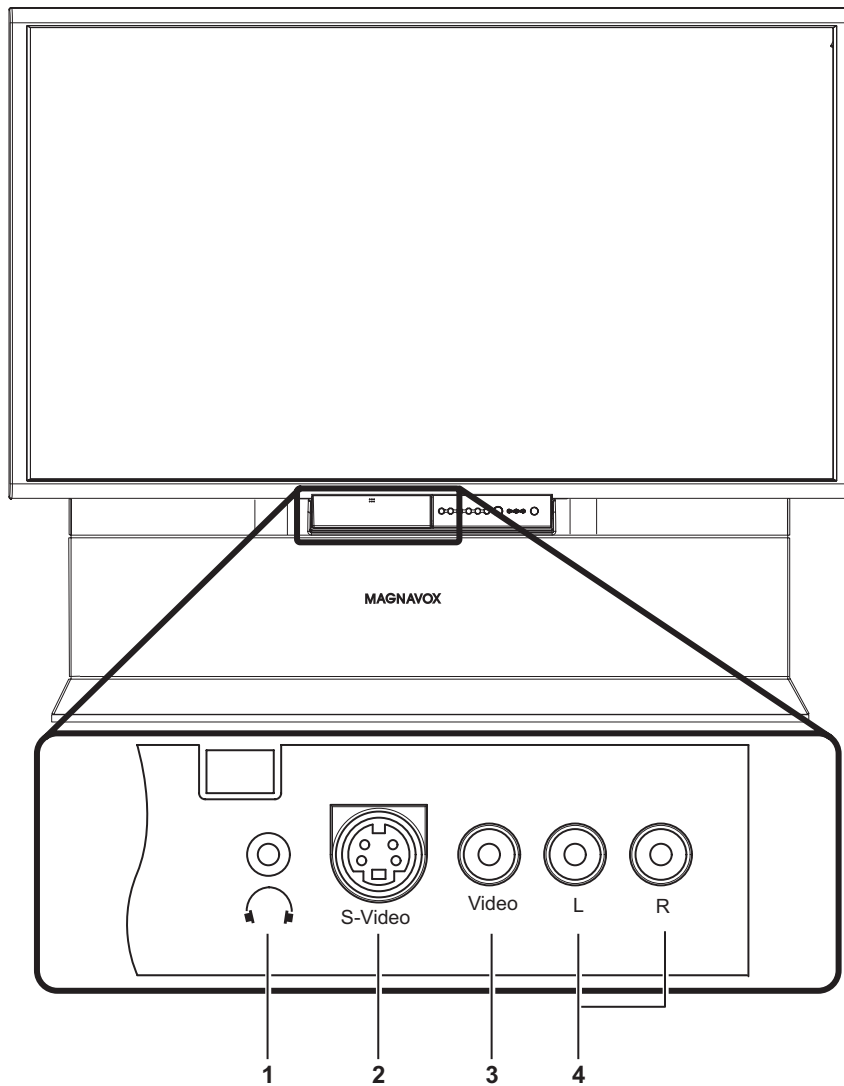
Component	Function
1. MENU/EXIT	Enable or exit from on-screen display (OSD) menu.
2. CHANNEL DOWN	Switch to previous channel.
3. CHANNEL UP	Switch to next channel.
4. VOLUME DOWN	Decrease volume.
5. VOLUME INCREASE	Increase volume.

# Overview of the TV

Component	Function
6. ENTER/SOURCE	<ul style="list-style-type: none"><li>• When OSD menu is enabled, confirm selection of menu item.</li><li>• When OSD menu is disabled, switch sequentially between all input sources.</li></ul>
7. POWER	Turn power on or off.
8. Power indicator	<ul style="list-style-type: none"><li>• Red: Stand-by</li><li>• Flashing red: System being cooled down</li><li>• The power indicator status on power on.</li><li>• Green: System powered on</li><li>• At power off, the LED flashes red/green for 10 seconds, flashes red for approximately 40 seconds and then turns red when the system is powered off.</li></ul>
9. Lamp indicator	Lamp failed (red)
10. Temperature indicator	Red: Internal temperature too high
11. IR receiver	Receive control signals from the remote control

# Overview of the TV

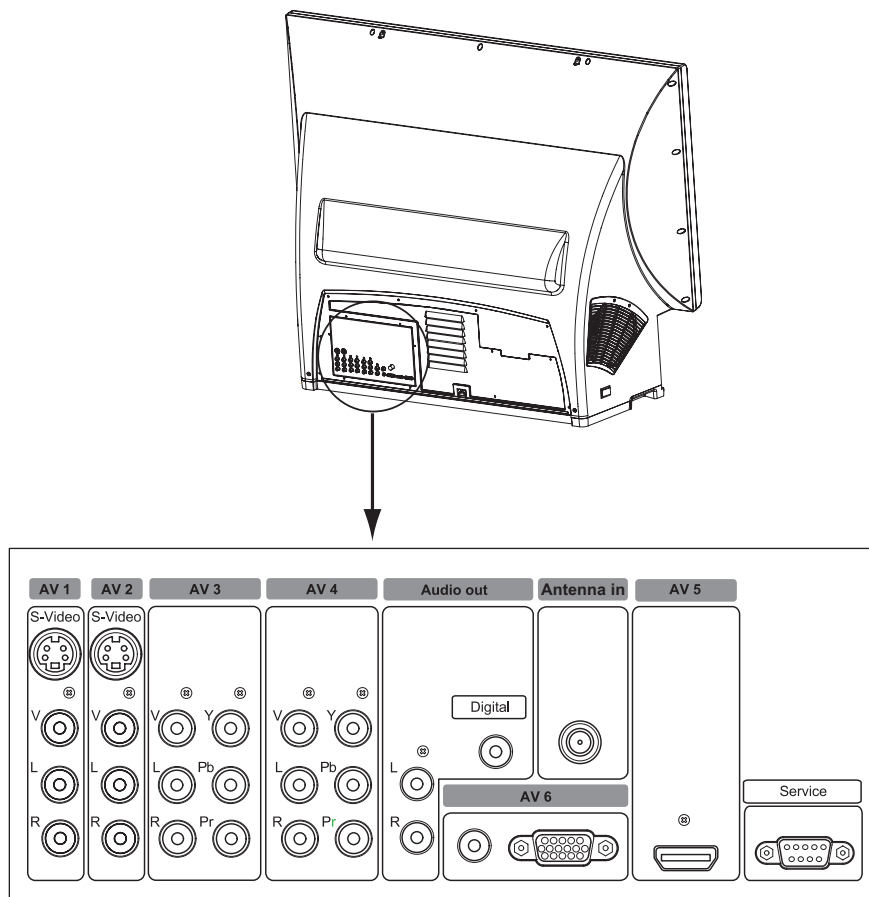
## Front Panel Connectors



	Component	Function
1.	Headphone	Connect headphones to listen to audio.
2.	S-Video	Connect a device such as a camera, game console, or DVD player to watch video.
3.	Video	Connect video device with composite video output such as a VCR.
4.	Audio L/R	Connect audio output of device here.

# Overview of the TV

## Rear Panel



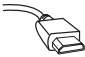




Your TV is designed to accept and display a wide range of video programs and signal sources, including VCRs, DVD players, high definition (HD) TV devices, video game consoles, and regular TV broadcasts. The TV provides excellent quality picture and audio to provide a memorable viewing experience. The following table provides a sample of the various devices that can be connected to the connectors of the TV.

	Input/Output	Example device
Analog	AV1	VCR (Video Cassette Recorder)
	AV2	PVR (Personal Video Recorder)
	AV7 (front panel)	Game console or camera
	Antenna In	Antenna
	Audio out	Audio amplifier system Digital out and analog L and R out

# Overview of the TV

	Input / Output	Example device
Digital	AV3	Set-top box
	AV4	DVD player or HD game console
	AV5	HDMI device
	AV6	PC or portable computer with VGA output

The following table describes the differences between connection types.

CONNECTION BASICS				
				
BEST	BETTER	GOOD	BASIC	BASIC
HDMI	Component Video	S-Video	Composite Audio/Video	RF
High-definition Multi-media Interface provides an uncompressed, all-digital audio/video connection. HDMI provides the ultimate connection.	Provides superior picture quality by separating the green, blue, and red luminance signals. Typically used with red/white audio cables.	Supplies a better picture than RF and Composite connections. Used with red/white audio cables.	Separate video (yellow) and audio (red/white) cables that provide a basic connection from the cable box or other devices. <b>Note:</b> The color of audio inputs may differ, e.g. red/white or red/black.	Provides a basic connection for antenna or cable. Provides both audio and video.

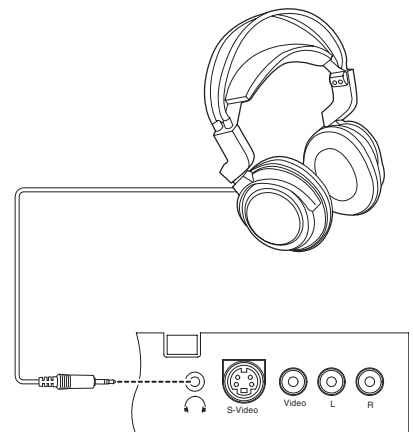
# Making Connections

The following sections provide instructions on how to connect various audio/video devices to the TV. Take care to switch off all devices before making any connections.

Most video devices have different types of video connectors. The most common are composite video, component video (YPbPr), and S-video. Component video provides the best picture quality while S-video delivers medium picture quality. Composite video provides the lowest picture quality. The following sections provide various examples to illustrate how to connect different types of devices. Refer to the documentation provided with the device that you want to use for more information.

## Connecting Headphones

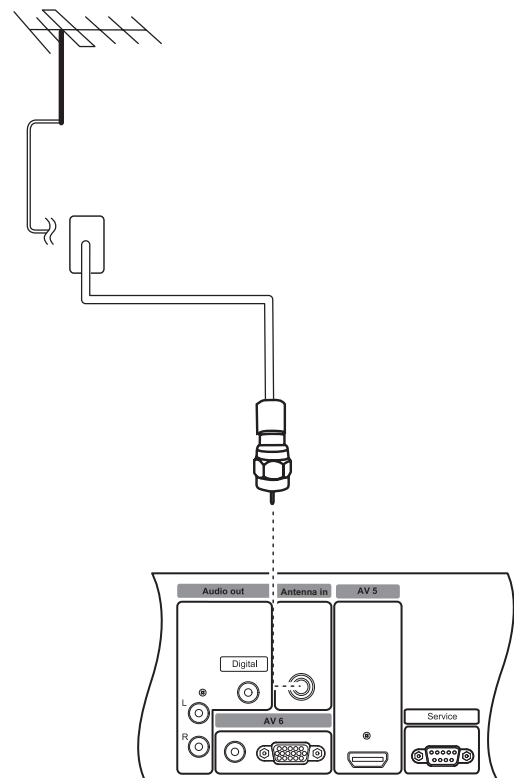
To listen to audio, connect the headphones to the headphone jack provided on the front panel.



## Connecting Cable TV/Antenna

To view High Definition local broadcasts, connect your outdoor or indoor antenna to the Antenna In input on the rear panel.

To view Analog Cable, connect your Cable TV to the Antenna In input on the rear panel.



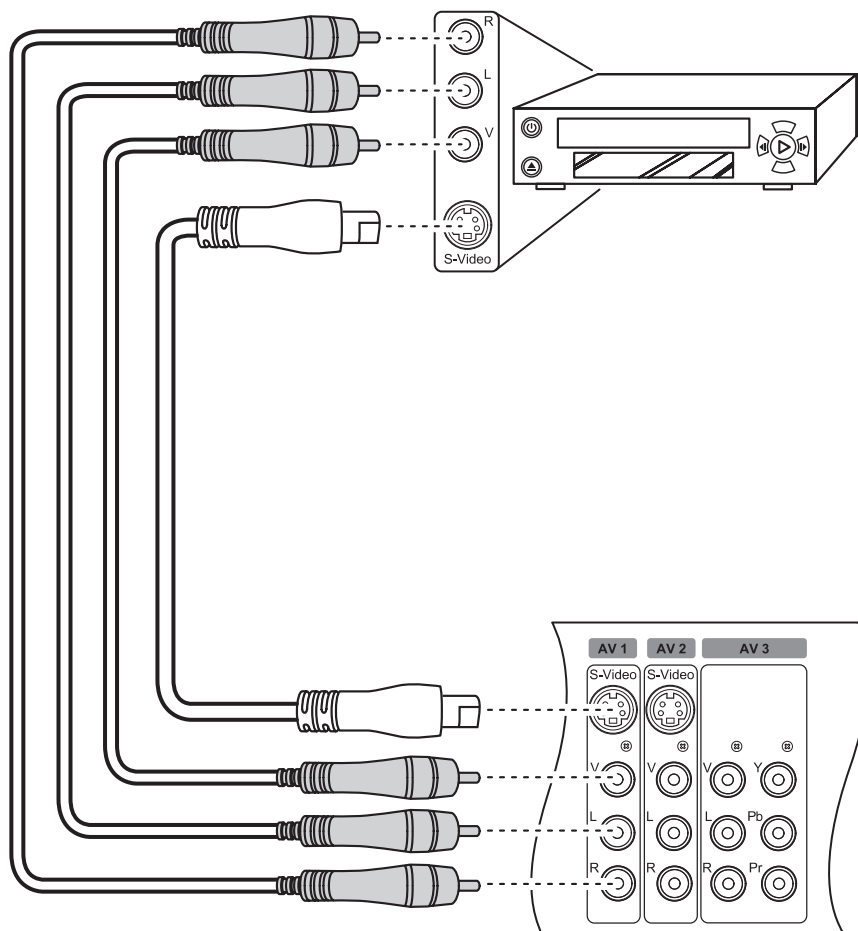


# Making Connections

## Connecting a VCR

Follow these instructions to connect a VCR (Video Cassette Recorder) to the TV using the AV1 input and watch your favorite movies.

1. Connect the video output of the VCR to the **V** connector of the AV1 input using an RCA cable. Alternatively, you can also connect it to the **S-video** connector of the AV1 input using an S-video cable.
2. Connect the audio output (L/R) of the VCR to the audio jacks (L/R) of the AV1 input using RCA cables.

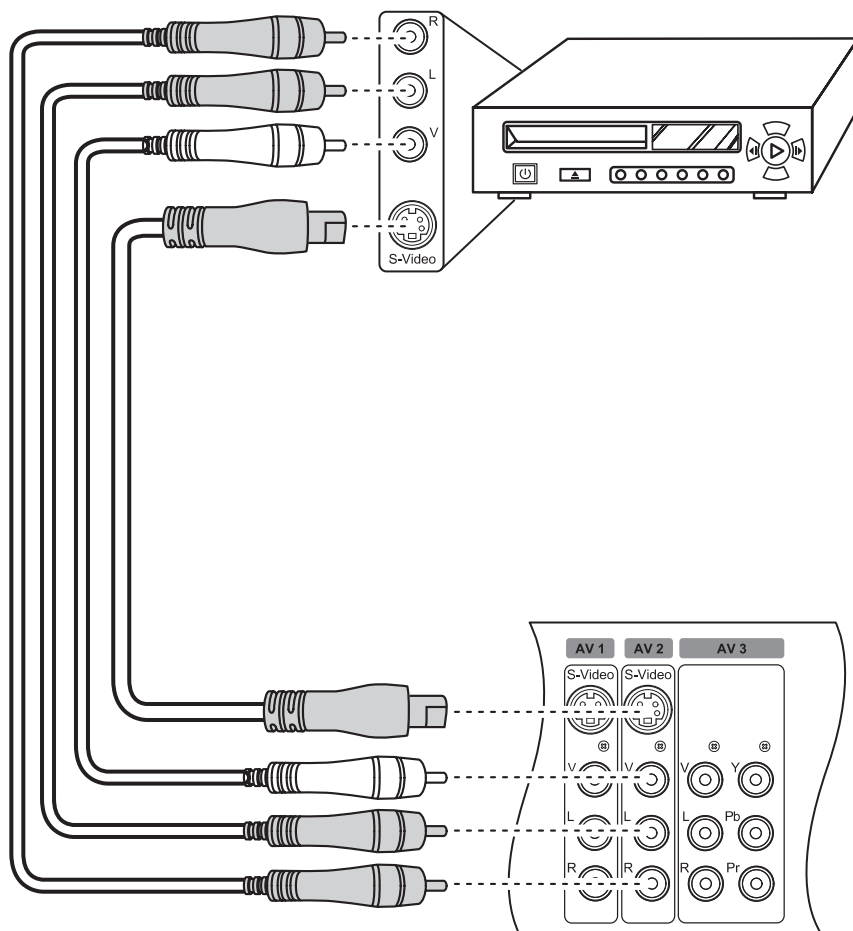


# Making Connections

## Connecting a PVR

Follow these instructions to connect a PVR (Personal Video Recorder) to the TV using the AV2 input.

1. Connect the video output of the PVR to the **S-video** connector of the AV2 input using an S-video cable. Alternatively, you can also connect it to the **V** connector of the AV2 input using an RCA cable.
2. Connect the audio output (L/R) of the PVR to the audio jacks (L/R) of the AV2 input using RCA cables.

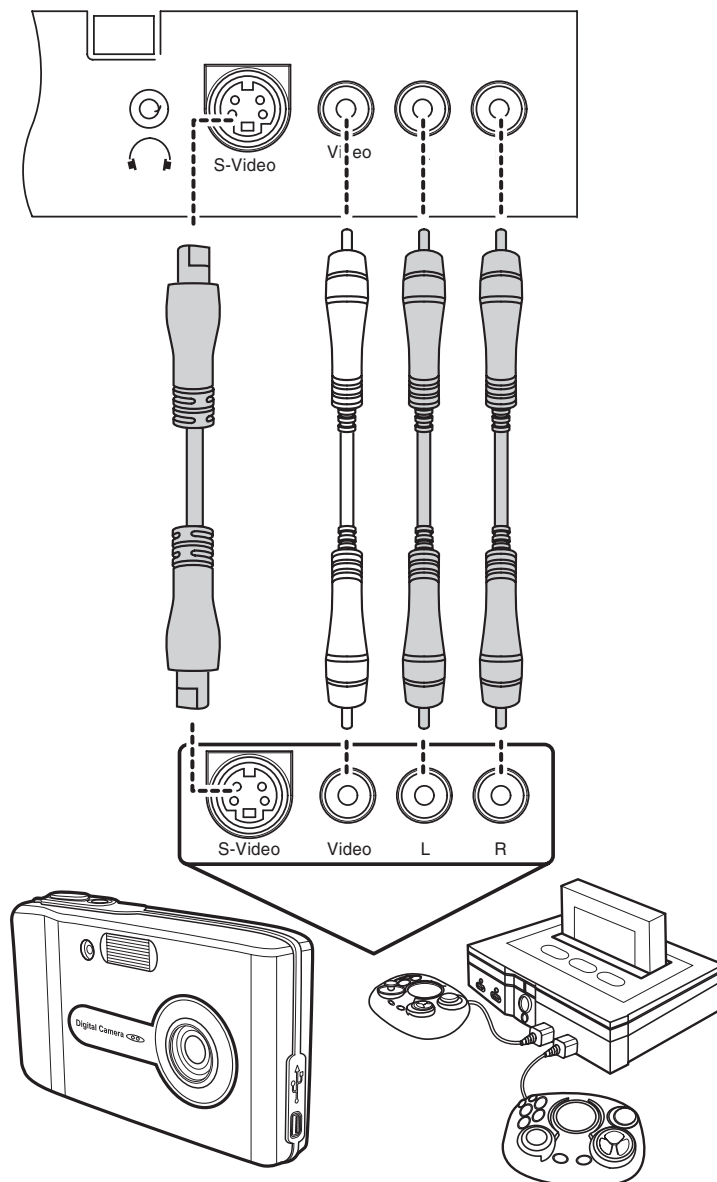


# Making Connections

## Connecting a camera or game console

To connect a video game console or a camera to the display, you can use the AV connectors located on the front connector panel (AV7). Alternatively, you can also use the AV connectors located on the rear panel.

1. Connect the video output of the camera or game console to the **S-video** connector on the front panel using an S-video cable. Alternatively, you can also connect it to the **V** connector using an RCA cable.
2. Connect the audio output (L/R) of the camera or game console to the audio jacks (L/R) using RCA cables.

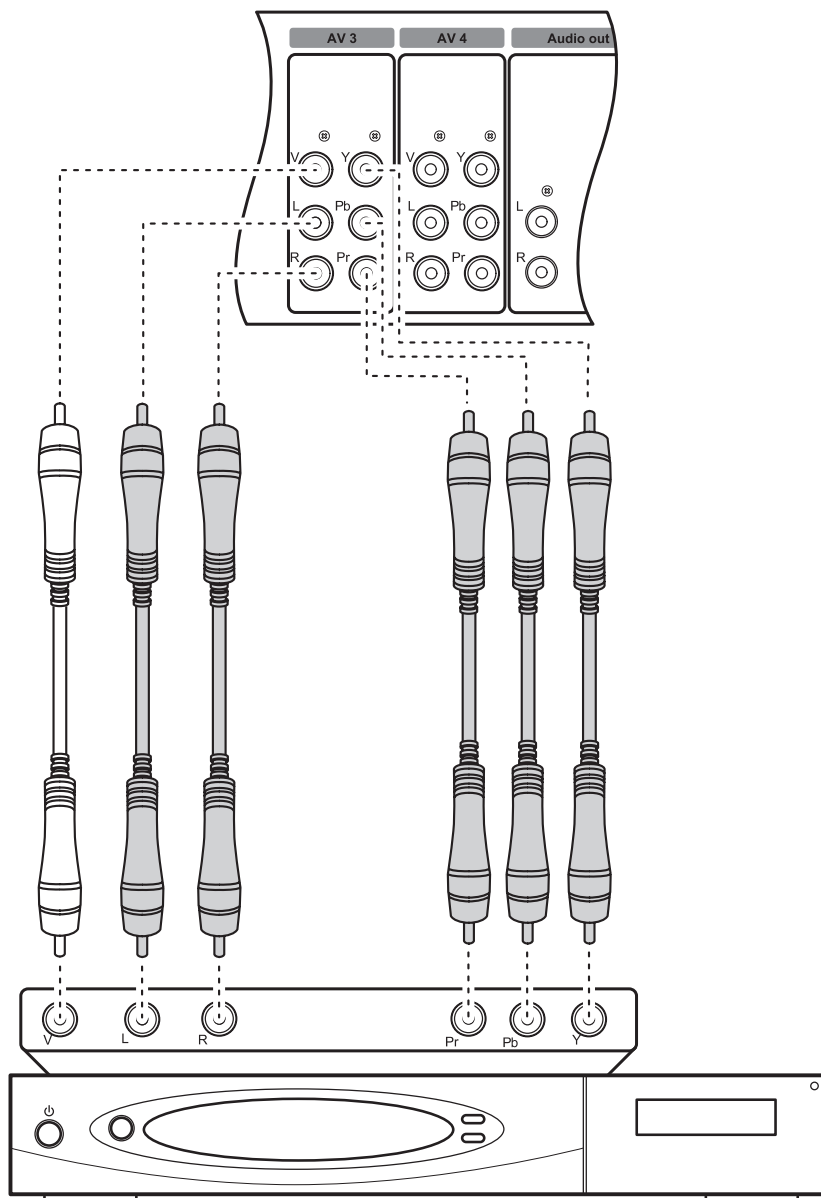


# Making Connections

## Connecting a Set-Top Box

You can connect a set-top box (cable/satellite) to the TV as follows:

1. Connect the video output of the set-top box to the **component (YPbPr)** video connectors of the AV3 input using RCA cables. Alternatively, you can also connect it to the **V** connector.
2. Connect the audio output (L/R) of the set-top box to the audio jacks (L/R) using RCA cables.

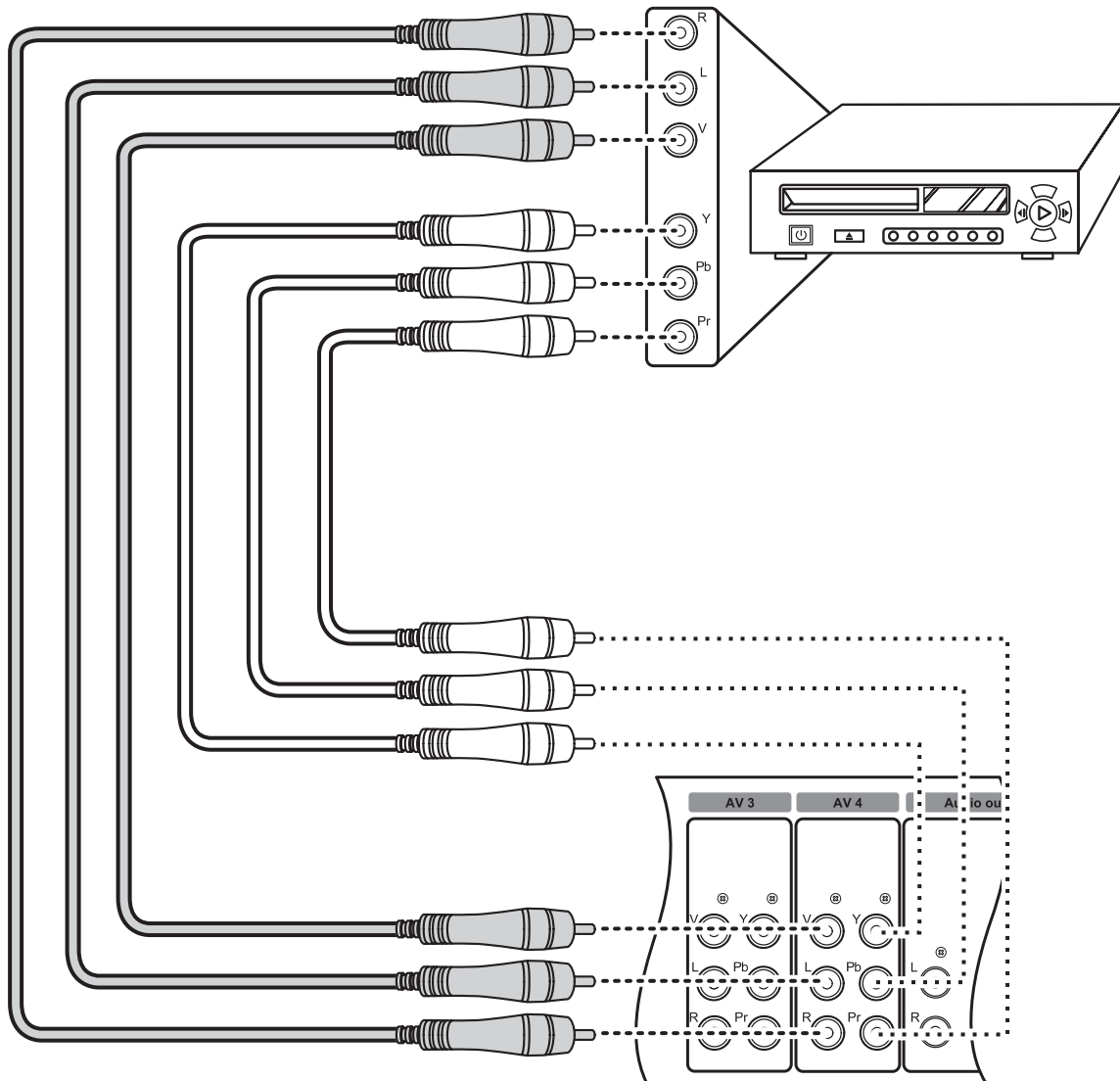


# Making Connections

## Connecting a DVD Player

To connect a DVD player to the TV, do the following:

1. Connect the video output of the DVD player to the **V** connector of the AV4 input using an RCA cable. Alternatively, you can also connect it to the **component (YPbPr)** connectors.
2. Connect the audio output (L/R) of the DVD player to the audio jacks (L/R) using RCA cables.



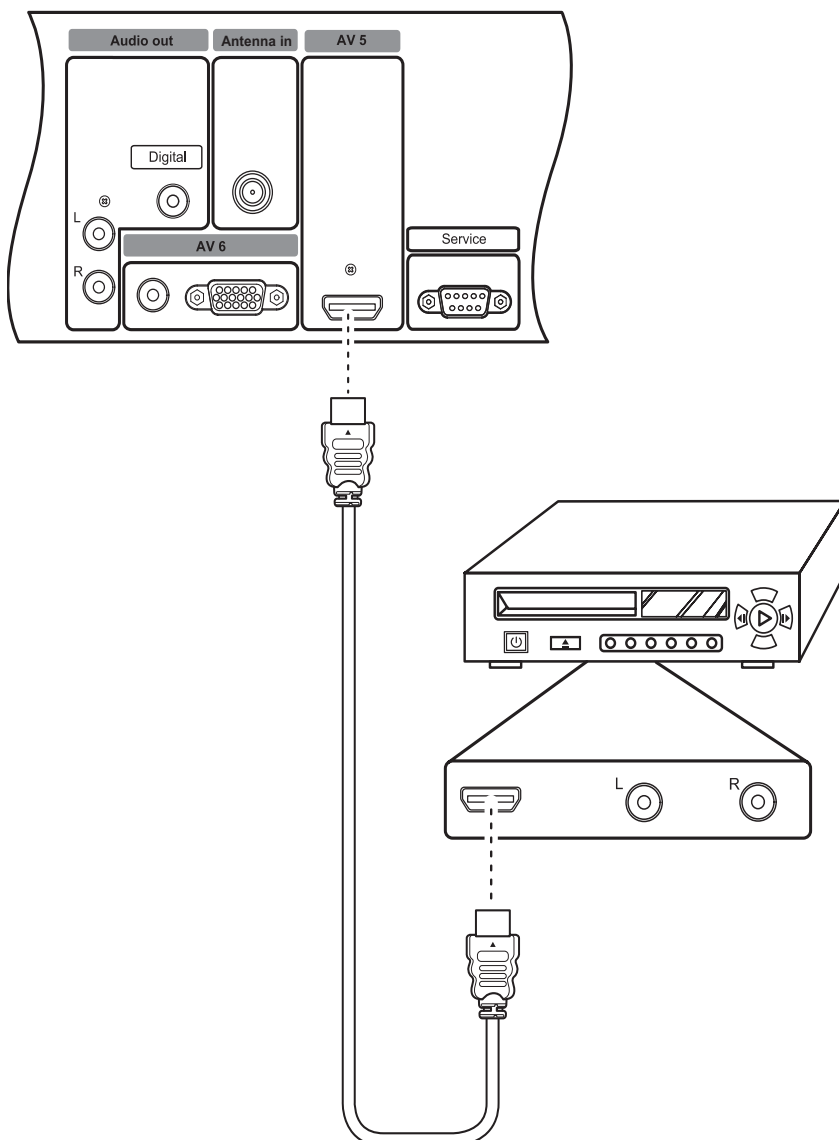
# Making Connections

## Connecting a DVD Player

To connect a DVD player to the TV using the HDMI input, connect the video output of the DVD player to the **HDMI** connector of the AV5 input using an HDMI cable.

### Note

- If you are using an DVI-to-HDMI cable, there will be no audio out.

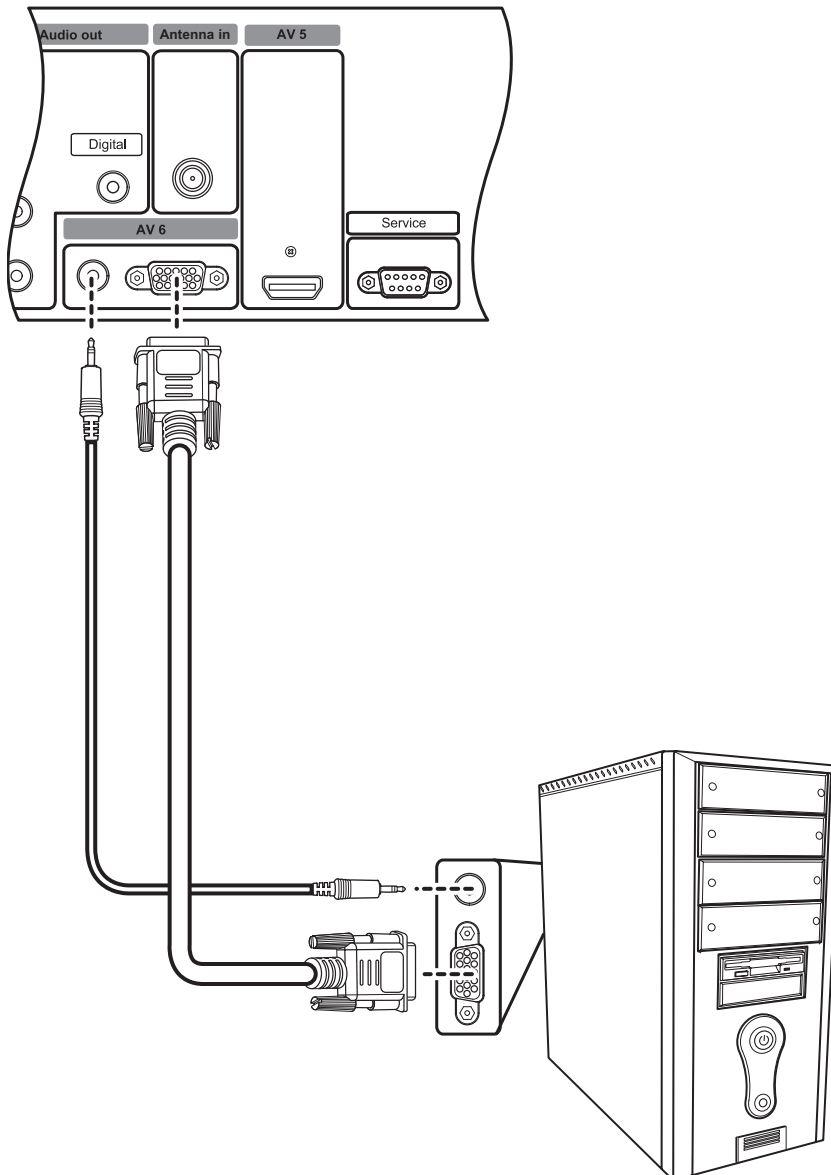


# Making Connections

## Connecting a PC

Use the following procedure to connect a PC or portable computer to the TV to use it as the PC's monitor.

1. Connect the VGA output of the PC to the **VGA** connector of the AV6 input using a VGA cable.
2. Connect the audio output (Audio out) of the PC to the audio jack of the AV6 input using an audio cable.

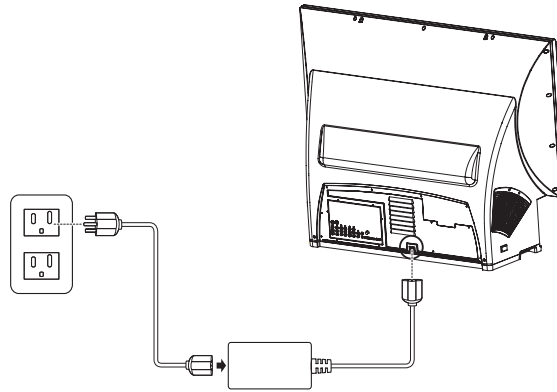


# Using the TV

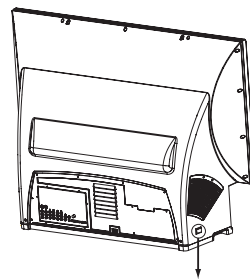
## Turning on the TV

To switch on the TV, do the following:

1. Connect the power cord to the TV as illustrated and plug the cord into a free wall outlet.



2. Switch on the main power switch. Refer to the following illustration for the location of the main power switch.



Power switch

3. Press the power button on the front panel or remote control to turn on the TV. The TV will turn on after warming up in approximately 30 seconds.

### Notes

- If the remote control and control panel do not work, ensure that the power switch on the rear of the TV is set to ON.
- In extremely quiet surroundings, you may hear a slight hum, which comes from the cooling system of the set and is part of its normal operation.

## Turning off the TV

To switch the TV off, press the power button on the front panel or remote control to turn off the TV. The screen turns blank immediately but it will take approximately 1 minute to cool down and then shut down the whole system.

Except in case of emergency, it is not recommended to use the main power switch to switch off the system. The lamp life may be severely reduced if the system is not allowed to cool down properly by abruptly shutting down the system using the main power switch.



# Using the TV

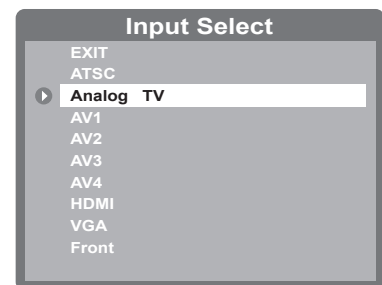
## Notes

- Unless the TV is not going to be used for an extended period of time, the main power switch can be left in the ON position without consuming a lot of power.
- After you switch off the TV, the power LED flashes red/green for 10 seconds, flashes red for approximately 40 seconds and then turns red when the system is powered off. When the LED is flashing red, the TV is in its final cooling phase and the system will not respond to any commands from the remote control or front panel buttons. Wait until the power LED stops flashing for about 1 minute before switching on the TV again.

## Changing Input Source

After switching on the TV, select the appropriate input source using the front panel buttons or the remote control as follows:

- Press **ATV**, **DVI/HDMI**, **YPbPr**, **DTV**, **AV**, **SV**, or **VGA** on the remote control to switch to the respective input.
- Press the **ENTER/SOURCE** button on the front panel of the TV repeatedly to switch through all the input sources.
- Press **SOURCE** on the remote control to select the source from the on-screen menu. A list of input sources is displayed on the screen. Select the appropriate input using the cursor keys and press **OK** on the remote control to display the input signal.



## Changing Channels

Use one of the following methods to change channels:

- Press the channel up or down buttons on the front panel or the remote control to switch to the previous or next channel.
- Press the number keys on the remote control to directly key in a channel number.

## Adjusting Volume

To adjust volume, do the following:

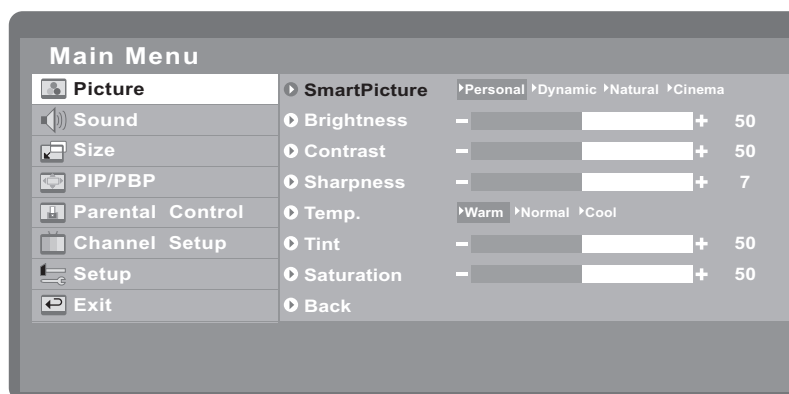
- Press the volume up or down buttons on the front panel or the remote control to increase or decrease the volume.
- Press the mute button (see page 4) to disable the volume. Press the button again to restore sound.

## Using the OSD menus

The On-Screen Display (OSD) menus enable you to customize the TV's audio, video, and other settings according to your preferences. Press the **MENU** button on the front panel or the remote control to view the OSD menu. Use the **▼ ▲ ◀ ▶** buttons to navigate through the menu items and press **OK** to select an option. Press the **MENU** button again to exit from the menu. Refer to the following sections to learn more about the various menu options.

### Picture Menu

The picture menu enables you to adjust the picture to suit the type of program you are watching. The **SmartPicture** item provides four preset options for the picture setting – Personal, Dynamic, Natural, and Cinema. You can also choose to manually adjust the picture settings such as brightness, contrast, saturation, etc. to suit your personal preference.



The following table describes the picture menu items.

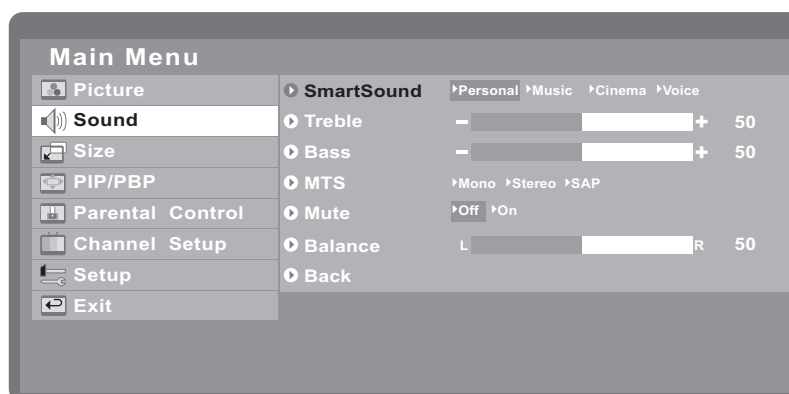
Component	Function	Range / Options
<b>SmartPicture</b>	Provides four preset options to suit various types of programs.	Personal, Dynamic, Natural, Cinema
<b>Brightness</b>	Adjusts the total brightness of all colors.	0 ~ 100
<b>Contrast</b>	Modifies the ratio between extremely dark and extremely light areas of the image.	0 ~ 100
<b>Sharpness</b>	Modifies the sharpness of the edges of the image.	0 ~ 15
<b>Temp.</b>	Adjusts the color temperature or warmth of the image. An image with warm colors has more reddish hues.	Warm, Normal, Cool
<b>Tint</b>	Modifies the hue or dominant color of the image.	0 ~ 100
<b>Saturation</b>	Adjusts the color intensity of the image.	0 ~ 100

# Using the OSD menus

## Sound Menu

The sound menu helps you to adjust the audio settings to suit the type of program being viewed. The **SmartSound** item provides four pre-set options for the audio quality – Personal, Music, Cinema, and Voice. You can also adjust the audio settings manually as required.

The following table describes the sound menu items.



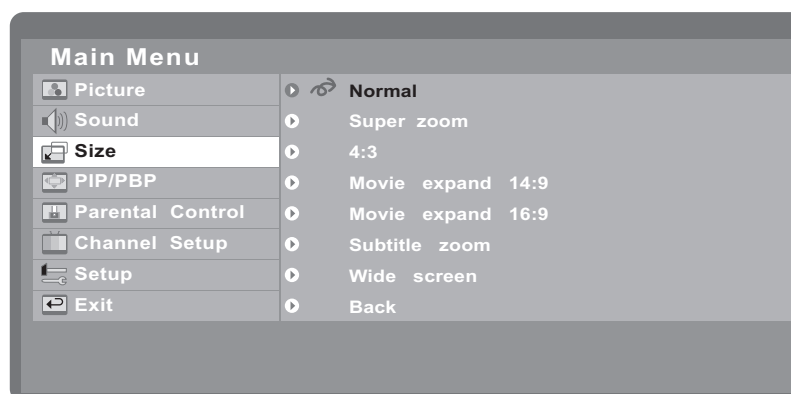
Component	Function	Range / Options
<b>SmartSound</b>	Provides four preset options to suit various types of programs.	Personal, Music, Cinema, Voice
<b>Treble</b>	Adjusts amount of high-frequency components in the audio.	0 ~ 100
<b>Bass</b>	Adjusts amount of low-frequency components in the audio.	0 ~ 100
<b>MTS</b>	Sets the audio mode. <sup>†</sup>	Mono, Stereo, SAP (Secondary Audio Program)
<b>Mute</b>	Disables audio.	Off, On
<b>Balance</b>	Adjusts the sound balance between the left and right speakers.	0 ~ 100

<sup>†</sup> MTS is only available when the input signal is analog.

# Using the OSD menus

## Size Menu

The size menu provides various options for the size or aspect ratio of the video display.



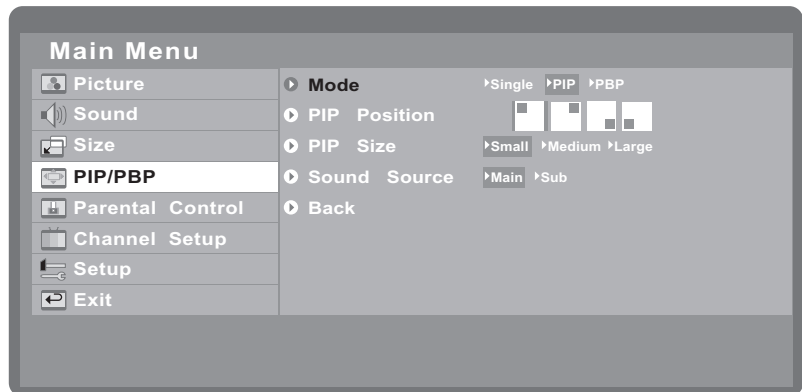
The following options are available:

Component	Function
<b>Normal</b>	The picture is enlarged to cover the entire screen area.
<b>Super zoom</b>	In Super zoom mode, the picture is expanded nonlinearly in the horizontal direction, and compressed nonlinearly in the vertical direction.
<b>4:3</b>	This format resizes the picture size to 960 x 720 pixels. Unused portions of the screen are left black.
<b>Movie expand 14:9</b>	Expand the picture to remove the black bars.
<b>Movie expand 16:9</b>	Expand the picture to remove the black bars.
<b>Subtitle zoom</b>	Zooms across the subtitle area.
<b>Wide screen</b>	This format is used to view feature films, with an aspect ratio of 1.77 : 1.

# Using the OSD menus

## PIP/PBP Menu

The PIP/PBP menu provides various options for the PIP and PBP modes. The PIP mode helps you to watch one program on the full screen, and another program on a smaller pop-up window, which can be positioned in any of the four corners of the screen. The PBP function divides the viewing area into two halves, allowing the simultaneous viewing of two programs in windows placed side by side. Refer to the following table to learn about the various menu items:



Component	Function	Range / Options
<b>Mode</b>	Enables single, PIP, or PBP mode.	Single, PIP, PBP
<b>PIP Position</b>	Sets the position of the PIP window in one of the four corners of the screen.	Top left, Top right, Bottom right, Bottom left
<b>PIP Size</b>	Selects the size of the PIP window	Small, Medium, Large
<b>Sound Source</b>	Selects the sound source to be outputted through the speakers.	Main, Sub

Refer to the following tables for PIP/PBP combinations:

Main	Sub window	Sub window	Main
<b>Component</b>	S-Video	<b>Component</b>	S-Video
<b>VGA</b>	Composite	<b>VGA</b>	Composite
<b>DTV</b>	ATV	<b>DTV</b>	ATV
<b>HDMI</b>		<b>HDMI</b>	

For instance, if the main window displays the Component input signal, you can select the S-video, Composite, or ATV inputs as the sub window. Similarly, if the main signal is the Composite input, the sub window can display the Component, VGA, DTV, or HDMI inputs.

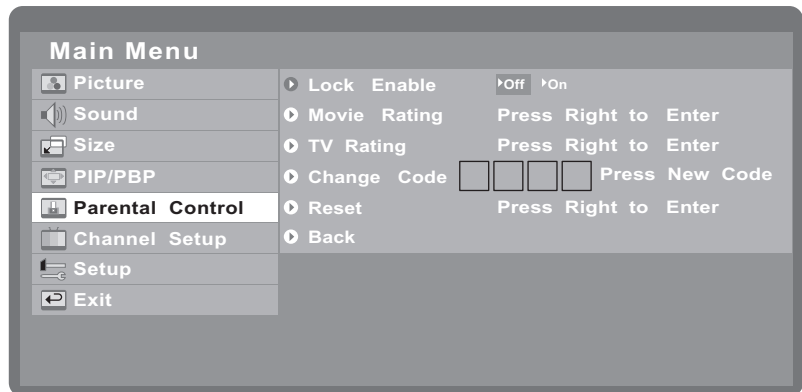
### Notes

- You can also use the PIP/PBP, PIP SIZE, ACTIVE, SWAP, and POSITION buttons on the remote control to activate and control the PIP or PBP mode. See page 4.
- Use the SWAP button to switch programs between the main and secondary windows in PIP/PBP mode.

# Using the OSD menus

## Parental Control Menu

The parental control menu enables you to limit access to programs that may contain objectionable material or are not suitable for viewing by children. The default access code is 0711.




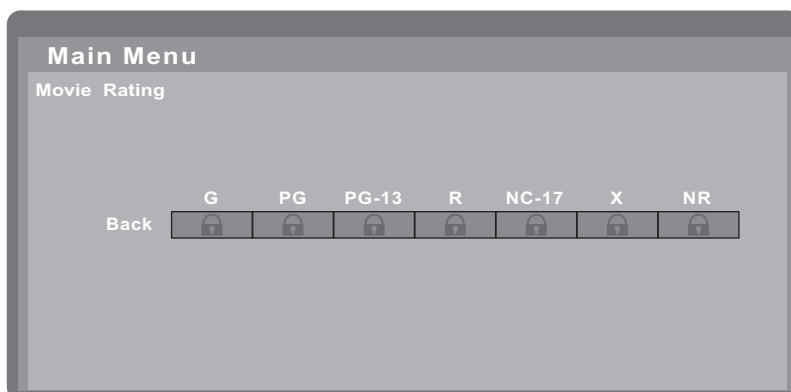
The following table provides details about the menu items:

Component	Function	Range / Options
<b>Lock Enable</b>	Enables the parental control lock. When enabled, channels with objectionable viewing content are blocked and can only be accessed with a password. You can block channels according to the movie or TV ratings of the channel's programs.	Off, On
<b>Movie Rating</b>	Helps you block programs based on their movie ratings. See "Movie Rating" on page 25 for more details.	–
<b>TV Rating</b>	Helps you block programs based on their TV ratings. See "TV Rating" on page 26.	–
<b>Change Code</b>	Changes the password for the parental control lock.	Press the number keys to change the password.
<b>Reset</b>	Resets all channels and programs to their default factory settings.	–

# Using the OSD menus

## Movie Rating


The movie rating provides a list of all the movie (MPAA) ratings. The locked ratings are indicated by the  icon. Press the arrow keys to select and the **OK** key to activate or de-activate the appropriate movie ratings. For instance, if you want to view programs that have only G, PG, and PG-13 ratings, activate the parental lock for all other movie ratings. The following table provides more information about the movie ratings.



Movie Rating	Suitable for
<b>G</b>	General audience. No restriction.
<b>PG</b>	Parental guidance.
<b>PG-13</b>	Children under 13 should be accompanied by an adult.
<b>R</b>	Restricted. Viewers should be 17 or older.
<b>NC-17</b>	Not classified. Viewers should be 17 or older.
<b>X</b>	Adults only.
<b>NR</b>	Not rated.

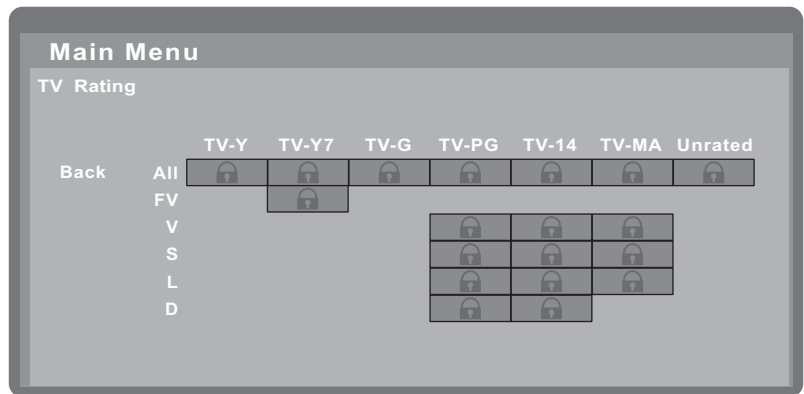
# Using the OSD menus

## TV Rating

The movie rating provides a list of all the TV (FCC) ratings. The locked ratings are indicated by the  icon. Press the arrow keys to select and the **OK** key to activate or de-activate the appropriate TV ratings.

For instance, if you want to view programs that have only TV-Y, TV-Y7, and TV-G ratings, activate the parental lock for all other TV ratings. You can also block the program according to the TV (FCC)

content. The following tables provides more information about the TV ratings and TV content categories.



TV Rating	Suitable for
<b>TV-Y</b>	Young children
<b>TV-Y7</b>	Children of age 7 and over
<b>TV-G</b>	General audience
<b>TV-PG</b>	Parental guidance
<b>TV-14</b>	Viewers of age 14 and over
<b>TV-MA</b>	Mature audience
<b>Unrated</b>	Not rated.

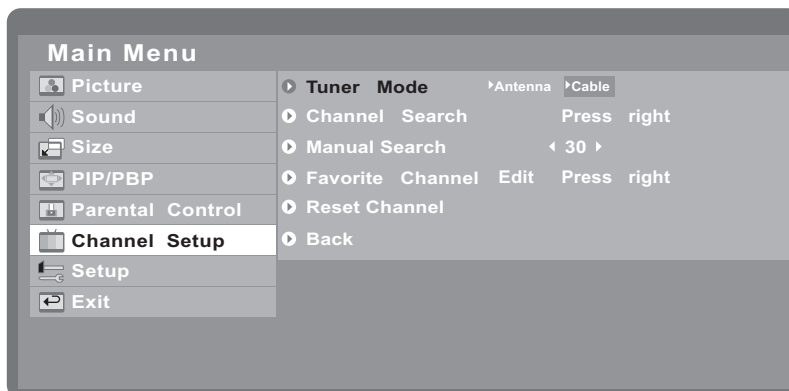
TV (FCC) Content Category	Content
<b>V</b>	Violence
<b>S</b>	Sexual content
<b>L</b>	Offensive language
<b>D</b>	Dialog with sexual innuendo
<b>FV</b>	Fantasy or cartoon violence



# Using the OSD menus

## Channel Setup Menu

The channel setup menu helps you to configure and set up channels. You can set the tuner for signals from the antenna or a cable receiver, search for channels, and edit the favorite channels



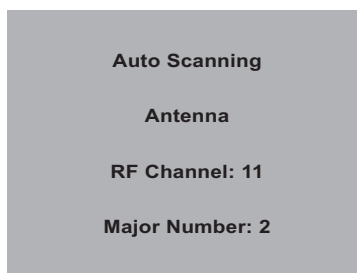
Component	Function	Range / Options
<b>Tuner Mode</b>	Specifies antenna or cable input for the Analog signal. Specifies antenna input for the Digital signal.	Antenna, Cable
<b>Channel Search</b>	Scans for channels automatically. See "Channel Search" below.	–
<b>Manual Search</b>	Enables you to manually search for channels. <sup>†</sup>	2 ~ 69
<b>Favorite Channel</b>	Edits the favorite channel list. See "Favorite Channel List" on page 28.	–
<b>Reset Channel</b>	Clears all channels that were added to the channel list using the Channel Search feature. After using this function, use Channel Search to rescan for channels. <sup>†</sup>	–

<sup>†</sup> This selection is only available when the input signal is digital.

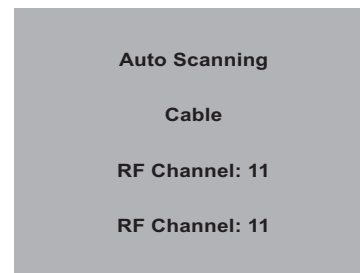
## Channel Search

Use this option to start scanning for channels automatically as follows:

1. Select the **Channel Search** item from the channel setup menu and press ► to start scanning for channels automatically. Scanning begins.
2. Press **OK** at any time to stop scanning.



Digital signal auto scan OSD



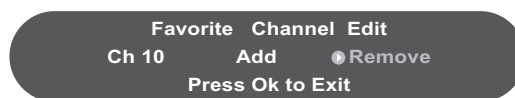
Analog signal auto scan OSD

# Using the OSD menus

## Favorite Channel List

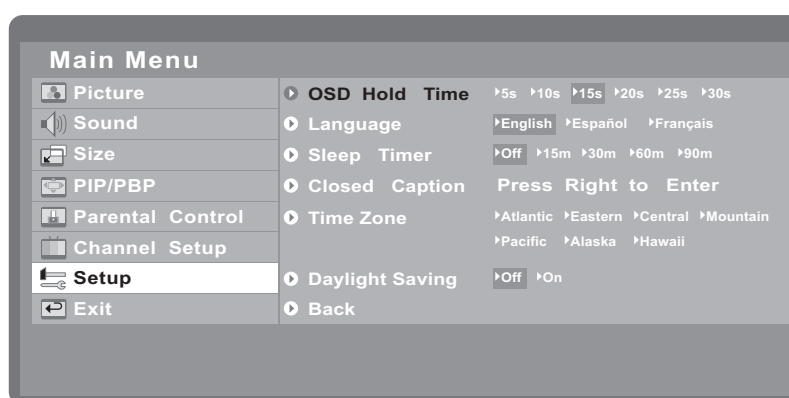
You can set any channel as your favorite channel and view it quickly using the **Favor** button on the remote control. To set up your favorite channels, do the following:

1. Select the **Favorite Channel** item from the channel setup menu and press ► to edit the favorite channel list.
2. Press **Channel** +/- to select a channel.
3. Use the ◀/▶ arrow keys to select **Add** to add the channel to the favorite channel list or **Remove** to remove a channel from the list.
4. Press **OK** to confirm your selection.



## Setup Menu

The setup menu provides various options to customize the TV's settings.



The following table describes the menu items:

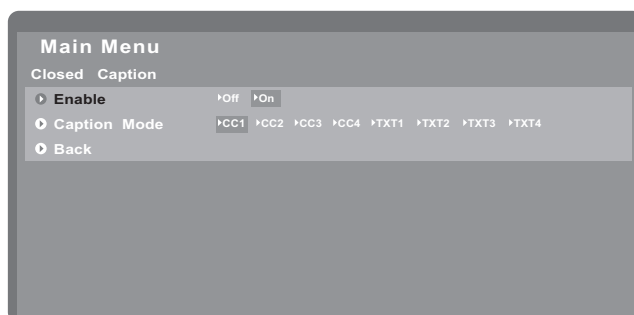
Component	Function	Range / Options
<b>OSD Hold Time</b>	Sets the idle time for which the OSD menu is displayed on the screen.	5s, 10s, 15s, 20s, 25s, 30s
<b>Language</b>	Sets the OSD menu language.	English, Spanish, French
<b>Sleep Timer</b>	Sets the time after which the display is switched off and enters standby mode.	Off, 15m, 30m, 60m, 90m
<b>Closed Caption</b>	Displays the closed caption menu. Refer to the following section for details.	–
<b>Time Zone</b>	Sets the time zone you are in. <sup>†</sup>	Atlantic, Eastern, Central, Mountain, Pacific, Alaska, Hawaii
<b>Daylight Saving</b>	Enables and disables daylight saving. When set to On, one hour is added to the time. <sup>†</sup>	On, Off

<sup>†</sup> This selection is only available when the input signal is digital.

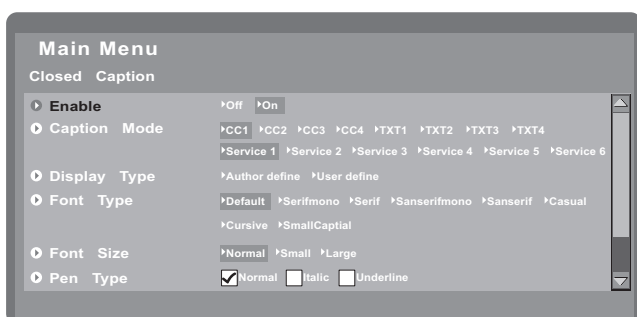
# Using the OSD menus

## Closed Caption Menu

The closed caption menu enables you to customize the closed captions according to your preference. Plain text messages can be viewed while viewing analog RF signals. Digital captions that can be customized for color, font size, opacity and other parameters are available with digital broadcast signals.



Closed caption menu (analog)



Closed caption menu (digital)

The following table provides a description of the closed caption menu options in digital mode:

Component	Function	Range / Options
<b>Enable</b>	Enables closed captioning.	On, Off
<b>Caption Mode</b>	Selects a closed caption or service mode.	CC1 ~ CC4, TXT1 ~ TXT4, Service 1 ~ Service 6
<b>Display Type</b>	When User define is selected, the user can set the closed caption menu characteristics shown below Display Type. If Author define is selected, these items are unavailable.	Author define, User define
<b>Font Type</b>	Specifies a font.	Default, Serifmono, Serif, Sanserifmono, Sanserif, Casual, Cursive, SmallCapital
<b>Font Size</b>	Specifies the font size.	Normal, Small, Large
<b>Pen Type</b>	Selects a pen type.	Normal, Italic, Underline

## Using the OSD menus

Component	Function	Range / Options
<b>Text Color</b>	Selects text color.	Black, White, Red, Green, Blue, Yellow, Magenta, Cyan
<b>Text Opacity</b>	Sets the opacity of the text.	Solid, Transparent, Translucent, Flashing
<b>Background Color</b>	Specifies a background color.	Black, White, Red, Green, Blue, Yellow, Magenta, Cyan
<b>Background Opacity</b>	Sets the background opacity	Solid, Transparent, Translucent, Flashing
<b>Edge Type</b>	Sets the font edge type.	None, Raised, Depressed, Uniform, Dropshadow
<b>Edge Color</b>	Sets the font edge color.	Black, White, Red, Green, Blue, Yellow, Magenta, Cyan

# Replacing the Internal Lamp

To order a replacement lamp, call the Magnavox Customer Care Center at 1-800-705-2000. A Magnavox associate will be happy to assist you.

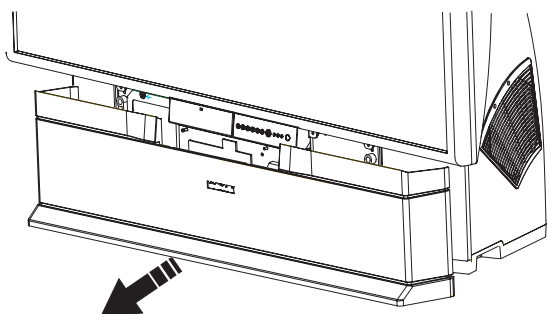
The part number for the Magnavox replacement lamp is SP.L6502G001

## Warning!

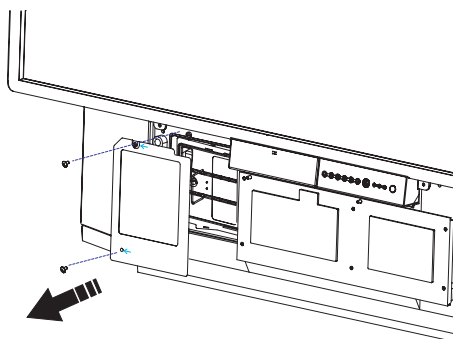


- Turn off the unit and unplug it before replacing the lamp
- Take care that no screws or other foreign metal objects fall into the display interior. Such items could cause fire or electrical shock.
- Do not remove the lamp except to replace it. Careless handling can cause injury or fire.
- Do not replace the lamp immediately after the display is turned off. The high temperature of the lamp could cause serious burns. Allow the lamp to cool down at least two hours after turning off the display

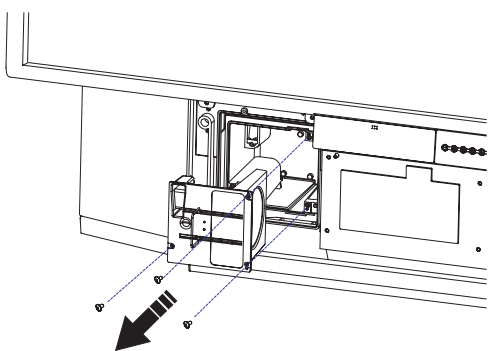
1. Remove the front decorative cover.



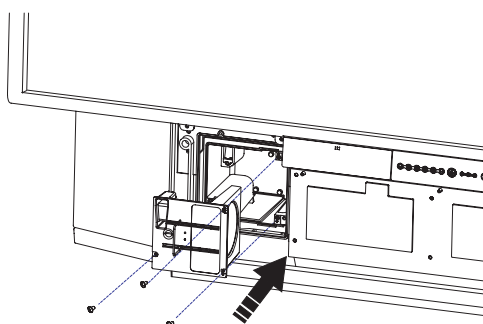
2. Unscrew and remove the protective cover from the lamp module.



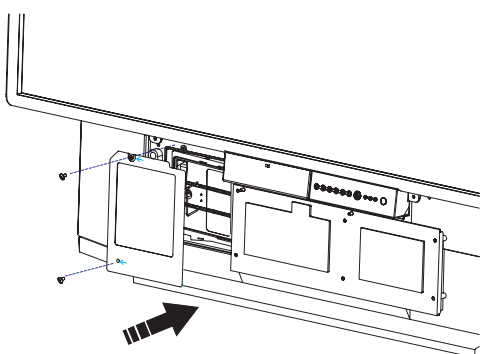
3. Loosen the three screws on the lamp unit and pull the lamp module out.



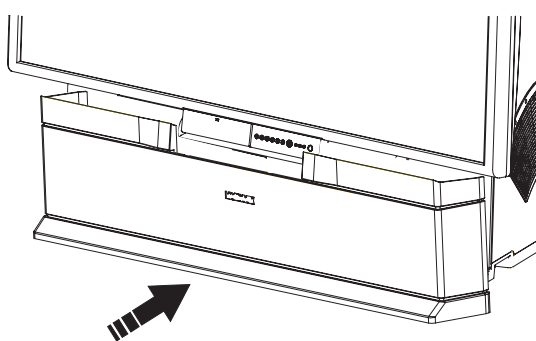
4. Replace a new lamp module then screw back the three screws on the lamp unit.



5. Replace the protective cover and tighten the screws.



6. Replace the front decorative cover.



# Troubleshooting

<b>Problem</b>	<b>Item to check</b>
No power	<ul style="list-style-type: none"><li>• Check that the power cord is properly connected.</li><li>• Make sure the wall power outlet is working.</li><li>• Make sure the remote has batteries.</li><li>• If the remote control and control panel do not work, ensure that the power switch on the rear of the TV is set to ON.</li></ul>
Remote control not working	<ul style="list-style-type: none"><li>• Replace the batteries</li><li>• Check that the batteries are inserted correctly</li><li>• Check that the remote control is close enough to the display</li><li>• Adjust the angle between the remote control and the display.</li></ul>
Picture is fuzzy	<ul style="list-style-type: none"><li>• Check that the device generating the picture signal is operating properly.</li><li>• Check that you have set the display to receive the proper signal source.</li></ul>
No sound	<ul style="list-style-type: none"><li>• Check to see if the Mute function is activated.</li><li>• Check the volume level.</li><li>• Check that the device generating the audio signal is properly connected to the display.</li></ul>
Picture is unstable	<ul style="list-style-type: none"><li>• Check that your video card is set within the allowable range.</li></ul>
Screen is blank	<ul style="list-style-type: none"><li>• Contact the dealer where you purchased the display.</li></ul>
A buzzing sound comes from the speakers during display.	<ul style="list-style-type: none"><li>• Check that the socket of the grounded hole is good.</li></ul>
No image.	<ul style="list-style-type: none"><li>• Check that the signal source is connected to the correct terminal.</li></ul>
Temperature LED is red	<ul style="list-style-type: none"><li>• Turn off the TV set and allow it to cool down. If the LED still persists, contact the nearest service center.</li></ul>
Poor picture quality	<ul style="list-style-type: none"><li>• Try switching to another channel and see if the problem persists.</li><li>• Adjust the antenna.</li><li>• Check all cable connections.</li></ul>
Picture rolls vertically	<ul style="list-style-type: none"><li>• Adjust the antenna.</li><li>• Check all cable connections.</li><li>• If you are using a VCR, check the tracking.</li></ul>
Lamp indicator LED red	<ul style="list-style-type: none"><li>• Lamp failed. Contact your nearest service center.</li></ul>
There is a switch on the TV	<ul style="list-style-type: none"><li>• Default is on.</li></ul>
Other	<ul style="list-style-type: none"><li>• Contact the dealer, authorized service personnel, or the Magnavox help number provided here: 1-800-705-2000</li></ul>

# Specifications

## Picture/Display

- Aspect ratio: wide screen 16:9
- Diagonal screen size: 50-inch
- Display technology: Digital Light Processing DLP™ HD4 with Smooth Picture
- Contrast ratio: 1500 :1
- Picture enhancement: Progressive scan, 3D comb filter, 3:2 pull down film-mode detection, SmartPicture
- Viewing angle (vertical): 120 degree
- Viewing angle (horizontal): 160 degree

## Connectivity

- Input 1: S-video & composite video + L/R audio
- Input 2: S-video & composite video + L/R audio
- Input 3: YPbPr & composite video + L/R audio
- Input 4: YPbPr & composite video + L/R audio
- Input 5: HDMI
- Input 6: PC/VGA (D-Sub 15pin + audio)
- Input 7 (front): S-video & composite video + L/R audio
- Output (front): earphones
- RF input: ATSC/NTSC combo tuner
- SPDIF coaxial digital audio output (ATSC only)
- Analog audio output (L/R)

## Convenience

- Local controls: front panel keypad
- Ultra long lamp life: > 10,000 hours
- User manual in 2 languages: English (US) and Spanish
- OSD menu in 3 languages: English (US), Spanish, and French
- Picture In Picture (PIP)
- Ease of use: SmartSound control, SmartPicture control
- Ease of installation: PLL digital tuning
- Child protection: Parental control, child lock
- Remote control type: RC-47SLO (RC-6)

## Sound

- Output power (RMS): 2 x 15W
- Sound enhancement: SmartSound

## Tuner reception/transmission

- TV system: NTSC, ATSC
- Aerial input: 75 Ohm F-type
- Video playback: NTSC
- Closed Caption function

## Supported Display Resolution

- Computer formats:
  - 640 x 480 60Hz
  - 800 x 600 60Hz
  - 1024 x 768 60Hz
  - 1280 x 768 60Hz
- Video formats:
  - 720p 60Hz
  - 1080i 60Hz
  - 480p 60Hz
  - 480i 60Hz

## Power

- Hot re-strike time: < 45s
- Power consumption: < 300W
- Standby power consumption: < 3W
- Power off power consumption: < 1W
- Mains power: AC 100-240V, 50-60Hz

## Dimensions

- Product dimensions (WxDxH): 46.7in x 15.3in x 36.in
- Product weight: 114 lbs

# MAGNAVOX LIMITED WARRANTY

## One (1) Year Labor & One (1) Year Parts & One (1) Year Display Repair

MAGNAVOX warrants this product against defect in material or workmanship, subject to any conditions set forth as follows:

### PROOF OF PURCHASE:

You must have proof of the date of purchase to receive warranted repair on the product. A sales receipt or other document showing the product and the date that you purchased the product as well as the authorized retailer included, is considered such proof.

### COVERAGE:

(If this product is determined to be defective)

**LABOR:** For a period of one (1) year from the date of purchase, Magnavox will repair or replace the product, at its option, at no charge, or pay the labor charges to any Magnavox authorized service center. After the period of one (1) year, Magnavox will no longer be responsible for charges incurred.

**PARTS:** For a period of one (1) year from the date of purchase, Magnavox will supply, at no charge, new or rebuilt replacement parts in exchange for defective parts. Magnavox authorized service centers will provide removal and installation of the parts for one (1) year.

**DISPLAY:** For a period of one (1) year from the date of purchase, Magnavox will supply, at no charge, a new or rebuilt active display device in exchange for the defective display. Magnavox authorized service centers will provide removal and installation of the parts under the specified labor warranty. (PTV screens carry a thirty (30) day replacement warranty.)

### EXCLUDED FROM WARRANTY COVERAGE

Your warranty does not cover:

- Labor charges for installation or setup of the product, adjustment of customer controls on the product, and installation or repair of antenna systems outside of the product.
- Product repair and/or part replacement because of improper installation, connections to improper voltage supply, abuse, neglect, misuse, accident, unauthorized repair or other cause not within the control of Magnavox.
- A product that requires modification or adaptation to enable it to operate in any country other than the country for which it was designed, manufactured, approved and/or authorized, or repair of products damaged by these modifications.
- Damage occurring to product during shipping when improperly packaged or cost associated with packaging.
- Product lost in shipment and no signature verification of receipt can be provided.
- A product used for commercial or institutional purposes (including but not limited to rental purposes).
- Products sold AS IS or RENEWED.

### TO OBTAIN WARRANTY SERVICE IN THE U.S.A., PUERTO RICO, OR U.S. VIRGIN ISLANDS...

Contact Magnavox Customer Care Center at:

1-800-705-2000

### TO OBTAIN WARRANTY SERVICE IN CANADA...

1-800-661-6162 (French Speaking)

1-800-705-2000 (English or Spanish Speaking)

REPAIR OR REPLACEMENT AS PROVIDED UNDER THIS WARRANTY IS THE EXCLUSIVE REMEDY FOR THE CONSUMER. MAGNAVOX SHALL NOT BE LIABLE FOR ANY INCIDENTAL OR CONSEQUENTIAL DAMAGES FOR BREACH OF ANY EXPRESS OR IMPLIED WARRANTY ON THIS PRODUCT. EXCEPT TO THE EXTENT PROHIBITED BY APPLICABLE LAW, ANY IMPLIED WARRANTY OF MERCHANTABILITY OR FITNESS FOR A PARTICULAR PURPOSE ON THIS PRODUCT IS LIMITED IN DURATION TO THE DURATION OF THIS WARRANTY.

Some states do not allow the exclusions or limitation of incidental or consequential damages, or allow limitations on how long an implied warranty lasts, so the above limitations or exclusions may not apply to you. In addition, if you enter into a service contract agreement with the Magnavox partnership within ninety (90) days of the date of sale, the limitation on how long an implied warranty lasts does not apply.

*This warranty gives you specific legal rights. You may have other rights which vary from state / province to state / province.*

Magnavox, P. O. Box 671539, Marietta, GA. 30006-0026



# Devuelva la Tarjeta de registro del producto hoy mismo para sacar el máximo partido a su compra.

Al registrar su modelo con MAGNAVOX podrá beneficiarse de una gran cantidad de ventajas (descritas a continuación); no se lo pierda. Rellene y devuelva la Tarjeta de registro del producto cuanto antes:

## \* Prueba de compra

La devolución de la tarjeta adjunta le garantizará que la fecha de compra quedará archivada, por lo que no tendrá que realizar ningún trámite burocrático adicional para obtener el servicio de garantía.

## \*Notificación de seguridad del producto

Al registrar el producto, recibirá una notificación directamente del fabricante en el caso excepcional de la retirada del producto o de un defecto de seguridad.

## \*Ventajas adicionales de la propiedad del producto

Al registrar el producto se asegurará de que gozará de todos los privilegios a los que tiene derecho, incluidas las ofertas económicas especiales.

## MAGNAVOX

*Enhorabuena por la compra y bienvenido a la "familia!"*

**Querido propietario del producto MAGNAVOX:**

Gracias por depositar su confianza en MAGNAVOX. Ha seleccionado uno de los productos mejor diseñados y con mayor soporte disponible actualmente en el mercado. Haremos todo lo que esté en nuestras manos para que no se sienta decepcionado durante muchos años.

Como miembro de la "familia" MAGNAVOX tiene derecho a la protección que proporcionan una de las garantías más completas y una de las mejores redes de servicio de la industria. Y lo que es más, su compra le garantiza que recibirá toda la información y ofertas especiales a las que tiene derecho, además de un acceso sencillo a los accesorios de nuestra práctica red de compra doméstica.

Y más importante aún, podrá contar con nuestro total compromiso.


Esta es nuestra forma de darle la bienvenida y agradecerle su inversión en un producto MAGNAVOX.


**P.D. Para aprovechar al máximo la compra de MAGNAVOX, no olvide rellenar y devolver inmediatamente después la Tarjeta de registro del producto.**

Conozca estos

símbolos de **seguridad**



 Este "rayo" indica que la unidad contiene material no aislado que puede causar descargas eléctricas. Por la propia seguridad de las personas del hogar, no quite la carcasa del producto.

 El "signo de admiración" llama la atención de las características cuya documentación adjunta debe leer para evitar problemas de funcionamiento y mantenimiento.

**ATENCIÓN:** para evitar riesgos de descargas eléctricas, haga coincidir la clavija ancha del enchufe con la ranura ancha de la toma de corriente e inserte aquella completamente.

**ATENCIÓN:** Pour éviter les choc électriques introduire la lame la plus large de la fiche dans la borne correspondante de la prise et pousser jusqu'au fond.

### Para uso del cliente

Escriba a continuación el número de serie que encontrará en la parte posterior de la carcasa. Conserve esta información por si tuviera que consultarla en otro momento.

Nº de modelo \_\_\_\_\_

Nº de serie. \_\_\_\_\_

Visite nuestro sitio Web <http://www.magnavox.com>

# Instrucciones de seguridad importantes

## Lea esta información antes de utilizar el equipo

1. Lea estas instrucciones.
2. Guarde estas instrucciones.
3. Tenga en cuenta todas las advertencias.
4. Siga todas las instrucciones.
5. No utilice este aparato cerca de lugares que contengan agua.
6. Limpie el aparato sólo con un paño seco.
7. No bloquee ninguna abertura de ventilación. Realice la instalación siguiendo las instrucciones del fabricante.
8. No coloque el aparato cerca de fuentes de calor, como por ejemplo radiadores, hornillos u otros aparatos (incluidos amplificadores) que produzcan calor.
9. No ignore el objetivo de seguridad del enchufe con toma de tierra o polarizado. Un enchufe polarizado tiene dos clavijas, una más ancha que la otra. Un enchufe con toma de tierra tiene dos clavijas y una tercera clavija de toma de tierra. La clavija ancha o la tercera clavija se incluyen por su seguridad. Si el enchufe suministrado no encaja en la toma de corriente, consulte con un electricista para cambiar la toma de corriente obsoleta.
10. Proteja el cable de corriente para que no se pise ni se pellizque, especialmente en los enchufes, las tomas de corriente y el punto donde salen del aparato.
11. Utilice únicamente accesorios especificados por el fabricante.
12. Utilice el aparato sólo con un carro, base, trípode, soporte o mesa especificado por el fabricante o vendido conjuntamente con dicho aparato. Si utiliza un carro, preste atención cuando lo desplace para evitar daños por caída.
13. Desconecte el aparato durante las tormentas eléctricas o cuando no se utilice durante un período prolongado de tiempo.
14. Remita todas las reparaciones al personal de servicio técnico cualificado. Será necesario acudir al servicio técnico siempre que se dañe de forma alguna el aparato, por ejemplo cuando la fuente de alimentación o el enchufe estén dañados, cuando se haya derramado líquido o se hayan caído objetos dentro del aparato, cuando éste se haya expuesto a la lluvia o la humedad, no funcione normalmente o se haya dejado caer.
15. Este producto puede contener plomo y mercurio. Los residuos de estos materiales pueden estar regulados por motivos medioambientales. Para obtener información sobre residuos o reciclaje, póngase en contacto con las autoridades locales o con Electronic Industries Alliance: [www.eiae.org](http://www.eiae.org)
16. **Daños que requieren asistencia técnica.** La unidad debe ser reparada por personal técnico cualificado cuando:
  - A. El cable de alimentación o el enchufe se haya dañado; o
  - B. Se hayan caído objetos o derramado líquidos dentro del aparato; o
  - C. El aparato se haya expuesto a la lluvia; o
  - D. El aparato no funcione con normalidad o muestre un claro cambio en su rendimiento; o
  - E. El aparato se haya dejado caer o la carcasa haya sufrido algún daño.
17. **Inclinación y estabilidad.** Todos los televisores deben cumplir las normas de seguridad globales internacionales recomendadas relacionadas con las propiedades de inclinación y estabilidad del diseño de su carcasa.
  - No ponga en peligro estas normas de diseño ejerciendo una fuerza excesiva sobre la parte frontal o superior de la carcasa, ya que el producto podría volcarse.
  - Asimismo, no ponga en peligro su integridad física ni las de los niños colocando juguetes o equipos electrónicos en la parte superior de la carcasa. Tales elementos podrían caerse de la parte superior de la unidad y provocar daños personales y materiales al producto.
18. **Líneas de alta tensión.** Las antenas exteriores se deben colocar alejadas de las líneas de alta tensión.
19. **Conexión a tierra de la antena exterior.** Si conecta una antena exterior al receptor, asegúrese de que el sistema de la misma tiene conexión a tierra para proporcionar protección contra subidas de tensión y cargas estáticas. La Sección 810 del Código Eléctrico Nacional (NEC), ANSI/NFPA N°. 70-1984, proporciona información sobre las siguientes cuestiones: conexión adecuada a toma de tierra de postes y estructuras de soporte, conexión de toma de tierra del cable de entrada a una unidad de descarga de antena, tamaño de los conectores de toma de tierra, ubicación de la unidad de descarga de antena, conexión a electrodos de toma de tierra y requisitos para el electrodo de toma de tierra. Consulte la figura siguiente.
20. **Inserción de objetos y líquidos.** Extremar las precauciones para que ningún objeto o líquido entre en la carcasa a través de las aberturas.



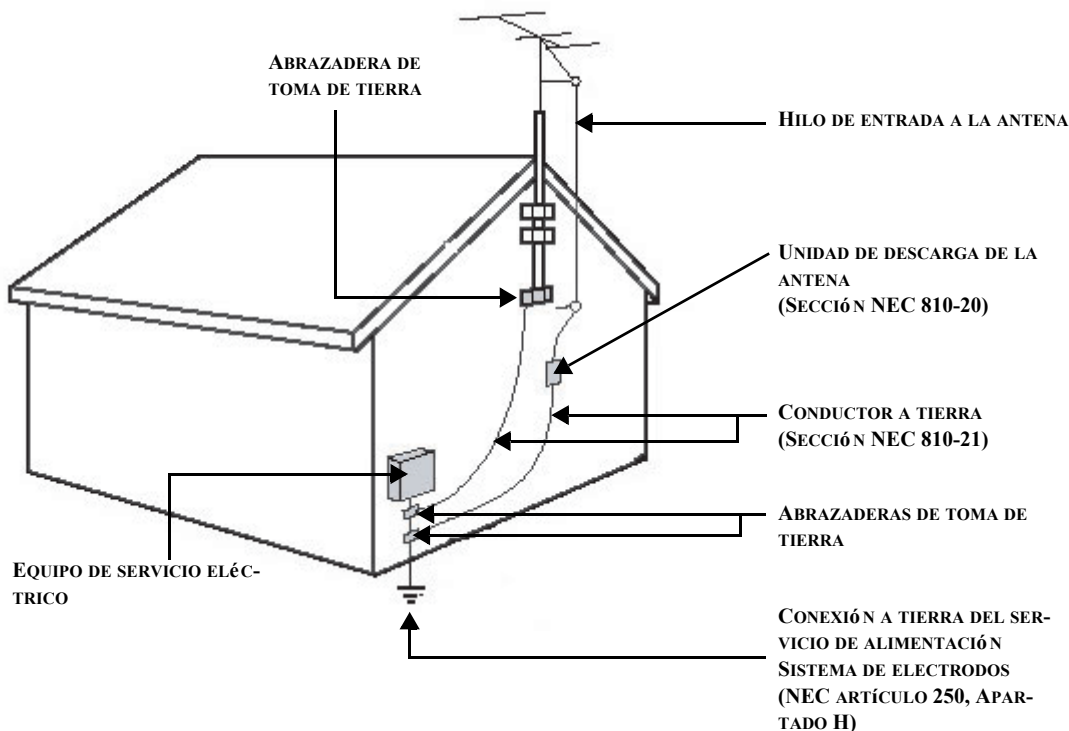
## Instrucciones de seguridad importantes

- Advertencia: para reducir el riesgo de incendio o de descargas eléctricas, no exponga este aparato a la lluvia o humedad ni coloque objetos que contengan líquido, como por ejemplo floreros, sobre el mismo.

**21. ATENCIÓN con el uso de las pilas.** Evite fugas en las pilas que puedan provocar daños físicos, materiales y a la unidad:

- Instale las pilas correctamente, con la polaridad + y - alineada tal y como se indica en la unidad.
- No mezcle las pilas (usadas y nuevas o de carbono y alcalinas, etc.).
- Extraiga las pilas si no va a utilizar la unidad durante un prolongado período de tiempo.

**Nota para el instalador del sistema CATV:** este recordatorio pretende llamar la atención del instalador del sistema CATV en relación al Artículo 820-40 del Código Eléctrico Nacional (NEC) en el que se proporcionan instrucciones para realizar una conexión a tierra adecuada y, en particular, especifica que el cable de tierra se debe conectar al sistema de tierra del edificio tan cerca del punto de entrada del cable como sea posible.



# Tabla de Contenidos

CARACTERÍSTICAS . . . . .	1	Buscar canales . . . . .	27
Accesorios . . . . .	1	Lista de canales favoritos . . . . .	28
INSERTAR LAS PILAS DEL MANDO A DISTANCIA . . . . .	2	Menú Configuración . . . . .	28
BOTONES DEL MANDO A DISTANCIA . . . . .	3	Menú Sub. ocult. . . . .	29
INFORMACIÓN GENERAL DEL TELEVISOR . . . . .	5	REEMPLAZAR LA LÁMPARA INTERNA . . . . .	31
Panel frontal . . . . .	5	SOLUCIONAR PROBLEMAS . . . . .	32
LED y botones del panel frontal . . . . .	5	ESPECIFICACIONES . . . . .	33
Conectores del panel frontal . . . . .	7	MAGNAVOX GARANTÍA LIMITADA . . . . .	34
Panel posterior . . . . .	8		
REALIZAR LAS CONEXIONES . . . . .	10		
Conectar los auriculares . . . . .	10		
Conectar el televisor por cable o la antena . . . . .	10		
Conectar un equipo VCR . . . . .	11		
Conectar un equipo PVR . . . . .	12		
Conectar una cámara o consola de juegos . . . . .	13		
Conectar un descodificador . . . . .	14		
Conectar un reproductor de DVD . . . . .	15		
Conectar un reproductor de DVD . . . . .	16		
Conectar su PC . . . . .	17		
USAR EL TELEVISOR . . . . .	18		
Encender el televisor . . . . .	18		
Apagar el televisor . . . . .	18		
Cambiar la fuente de entrada . . . . .	19		
Cambiar de canal . . . . .	19		
Ajustar el volumen . . . . .	19		
UTILIZAR LOS MENÚS OSD . . . . .	20		
Menú Imagen . . . . .	20		
Menú Sonido . . . . .	21		
Menú Tamaño . . . . .	22		
Menú PIP/PBP . . . . .	23		
Menú Control paterno . . . . .	24		
Calificación de películas (Cal. pelíc.) . . . . .	25		
Calificación de TV (Cal. TV) . . . . .	26		
Menú Conf. de canal . . . . .	27		



# Características

Enhorabuena por la compra de su MAGNAVOX TV DLP de 50 pulgadas. Este dispositivo cuenta con la tecnología DLP (Digital Light Processing, es decir, Procesamiento de luz digital) más avanzada y proporciona imágenes nítidas y colores brillantes para que disfrute de todo aquello que ve en el televisor.

Su MAGNAVOX 50ML8105D/17 tiene las siguientes características:

## Experiencia de entretenimiento real

- Tecnología DLP HD4 de alta definición con resolución de 1280 x 720p
- Sintonizador de TV digital integrado para recibir y ver programas transmitidos con alta definición
- Exploración progresiva que proporciona imágenes perfectas y sin oscilaciones
- Filtro combinado 3D que separa los colores y proporciona imágenes nítidas

## Más experiencias en menos espacio

- Diseño plano y ligero con un fondo de 38,8 cm (15,3 pulgadas) y 51,7 kg de peso.

## Conectividad avanzada

- Conector HDMI de última generación que proporciona vídeo de calidad superior
- 2 entradas de vídeo de componentes (YPbPr) que proporcionan vídeo de alta calidad
- La interfaz de PC D-sub/VGA permite utilizar el televisor como un monitor de PC

## Comodidad con un solo toque

- Las funciones Imagen inteligente y Sonido inteligente proporcionan una configuración optimizada
- La función Imagen en imagen (PIP, Picture In Picture) permite ver dos programas al mismo tiempo

### Nota

- Las especificaciones están sujetas a cambios sin previo aviso.

## Accesorios

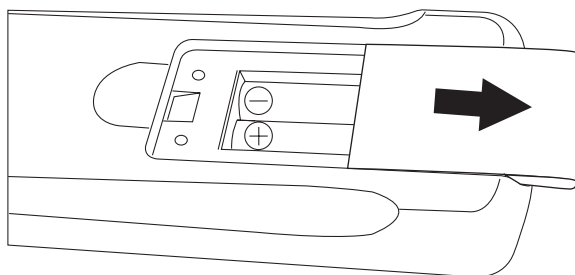
El televisor se proporciona con los siguientes componentes. Si alguno de estos artículos falta o está dañado, póngase en contacto con el proveedor más cercano.

- Cable de alimentación
- Mando a distancia
- 2 pilas tipo AAA
- Manual del usuario (inglés y español)
- Guía de inicio rápido
- Tarjeta de registro del producto

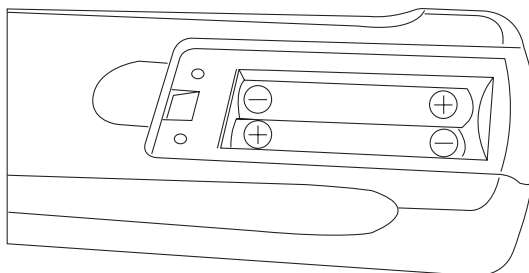
## Insertar las pilas del mando a distancia

Utilice el siguiente procedimiento para insertar las pilas en el mando a distancia antes de utilizarlo.

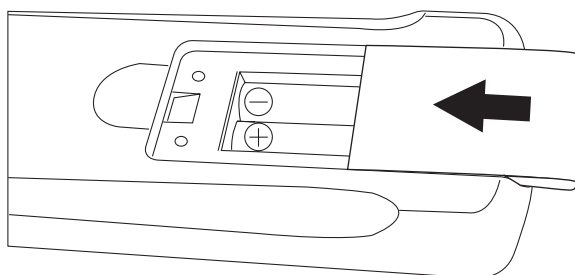
1. La tapa de las pilas se encuentra en la parte posterior del mando a distancia. Desplácela en la dirección de la flecha para extraerla.



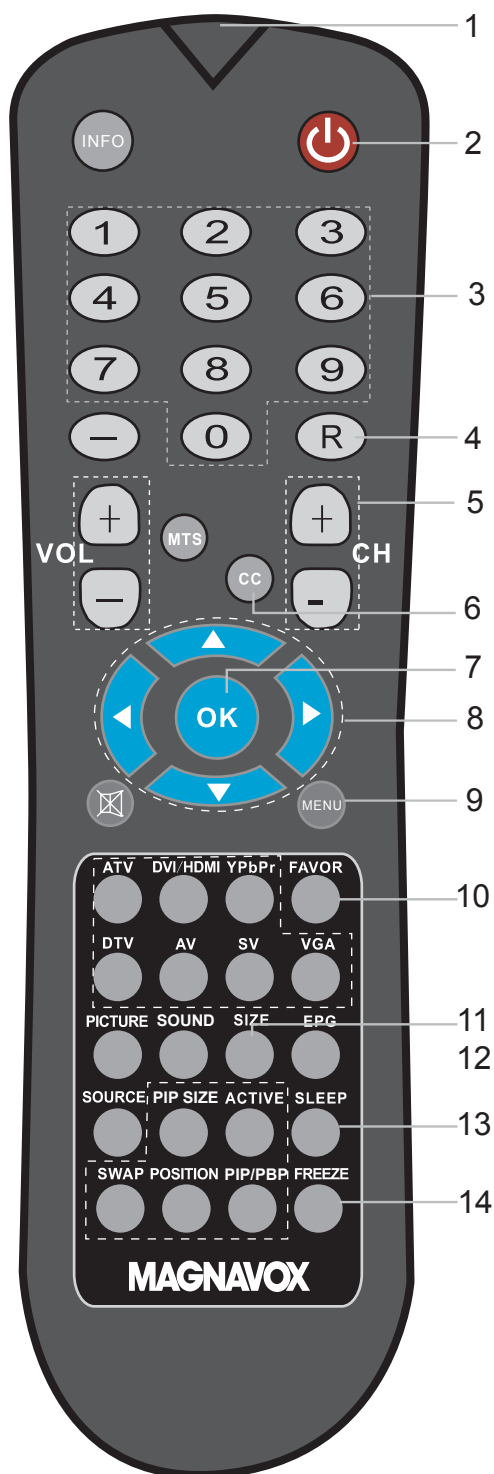
2. Inserte dos pilas tipo AAA (incluidas en el paquete) de forma que la polaridad coincida con la de la imagen que se encuentra en el compartimento.



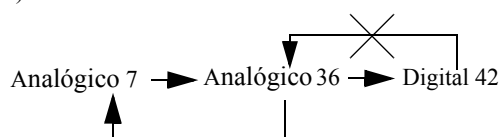
3. Desplace la tapa de las pilas en la dirección de la flecha hasta que oiga un clic y quede firme.



# Insertar las pilas del mando a distancia



- 1 **Filtro IR:** transmite las señales de control de infrarrojos al televisor.
- 2 **Encendido:** presiónelo para encender y apagar el televisor.
- 3 **Botones numéricos (0 ~ 9):** presiónelos para obtener acceso a un canal de televisión específico.
- 4 **R (Recuperar):** presiónelo para cambiar al canal que estaba viendo previamente.  
**Nota:** al presionar este botón, volverá al canal que estaba viendo anteriormente en el mismo modo de TV (analógico o digital).



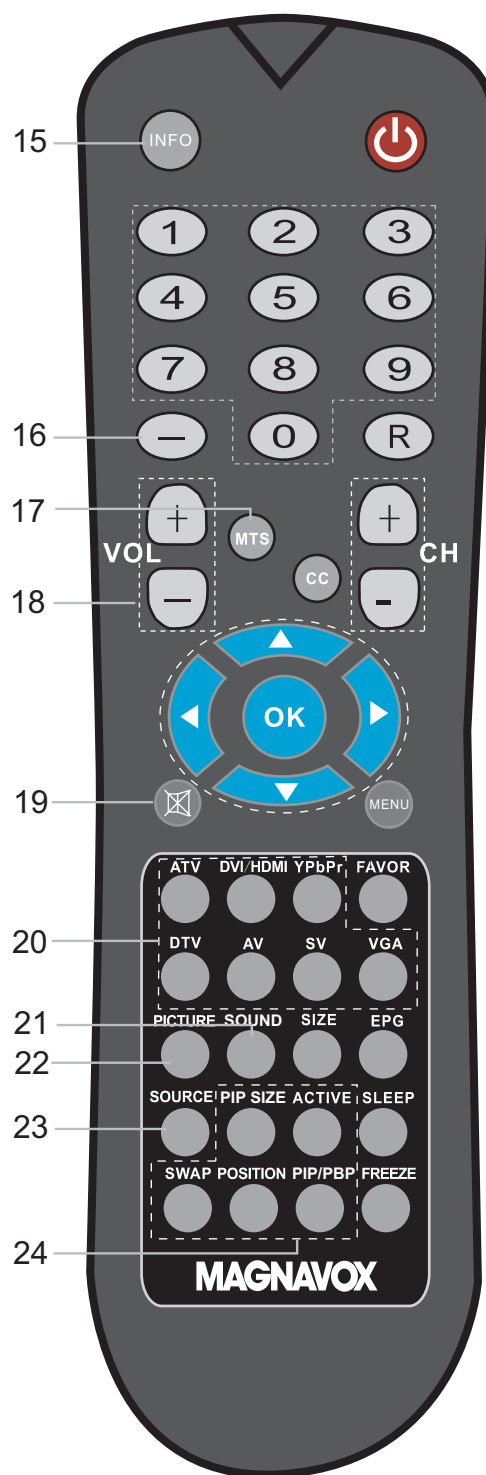
El botón Recuperar solamente le devuelve a los canales del mismo modo.

- 5 **CANAL (selección de canal):** presione + y - para aumentar y reducir, respectivamente, el número de canal.
- 6 **SO (subtítulos ocultos):** presiónelo para desactivar o activar los subtítulos ocultos o habilitarlos en el modo Silencio.
- 7 **Aceptar:** presiónelo para activar o confirmar las selecciones de menú.
- 8 **Cursor Arriba, Abajo, Derecha, Izquierda** (↕ ↕ ↶ ↷): presiónelos para desplazarse por el menú OSD.
- 9 **MENÚ:** presiónelo para mostrar el menú OSD del televisor o para ocultarlo.
- 10 **FAVORITOS:** presiónelo repetidamente para ver los canales de TV favoritos. Consulte la sección "Lista de canales favoritos" en la página 28 para obtener más información sobre cómo editar la lista de canales favoritos.
- 11 **TAMAÑO:** presiónelo para cambiar la relación de aspecto de la imagen.
- 12 **EPG (Guía de programas electrónica):** presiónelo para mostrar la tabla EPG (si estuviera disponible). Utilice los botones de flecha para recorrer dicha tabla.  
 La cantidad y precisión de la información de la guía de programas y el cartel de información la transmiten las emisoras. Puede ver una diferencia en la hora de transmisión si la emisora se encuentra en una zona horaria diferente.
- 13 **APAGADO AUTOMÁTICO:** presiónelo para establecer el temporizador de apagado automático y desconectar así el televisor automáticamente.
- 14 **CONGELAR:** presiónelo para congelar la imagen de vídeo.



## Insertar las pilas del mando a distancia

- 15 INFORMACIÓN:** presiónelo para mostrar información sobre el canal actual, la disponibilidad de los subtítulos ocultos, la fuente, la relación de aspecto, las funciones de imagen y sonido inteligentes, etc. La cantidad y precisión de la información de la guía de programas y el cartel de información la transmiten las emisoras. Puede ver una diferencia en la hora de transmisión si la emisora se encuentra en una zona horaria diferente.
- 16 Botón Guión:** presiónelo para seleccionar señales digitales y analógicas adicionales. Por ejemplo, para seleccionar 51-2, presione 5, 1, el botón Guión y, a continuación, 2 para ver el canal.
- 17 MTS (Multi-channel Television System, es decir, Sistema de televisión de varios canales):** presiónelo para recorrer cíclicamente los modos de audio del televisor en el sistema NTSC.
- 18 VOLUMEN (ajuste de volumen):** presione + para subir el volumen y – para bajarlo.
- 19 SILENCIO:** presiónelo para deshabilitar el sonido. Presiónelo de nuevo para restaurar el sonido.
- 20 Botones de acceso directo a la fuente (ATV, DVI/HDMI, YPbPr, DTV, AV, SV, VGA):** presiónelo para pasar rápidamente de una fuente de entrada a otra.
- 21 SONIDO:** presiónelo para activar la función Sonido inteligente y recorrer cíclicamente sus opciones.
- 22 IMAGEN:** presiónelo para activar la función Imagen inteligente y recorrer cíclicamente sus opciones.
- 23 FUENTE:** presiónelo para seleccionar la fuente de entrada en el menú OSD.
- 24 Teclas de acceso directo a PIP (Picture in Picture, es decir, Imagen en imagen)/PBP (Picture by Picture, es decir, Imagen junto a imagen)(consulte la sección "Menú PIP/PBP" en la página 23):**  
**PIP/PBP:** permite habilitar o deshabilitar el modo PIP o PBP.  
**POSICIÓN:** presiónelo para cambiar la posición de la ventana PIP.  
**INTERCAMBIAR:** intercambie imágenes cuando utilice las funciones PIP y PBP.  
**ACTIVA:** presiónelo para seleccionar una ventana PIP o PBP activa.  
**TAMAÑO PIP:** presiónelo para cambiar el tamaño de la imagen de la ventana PIP.



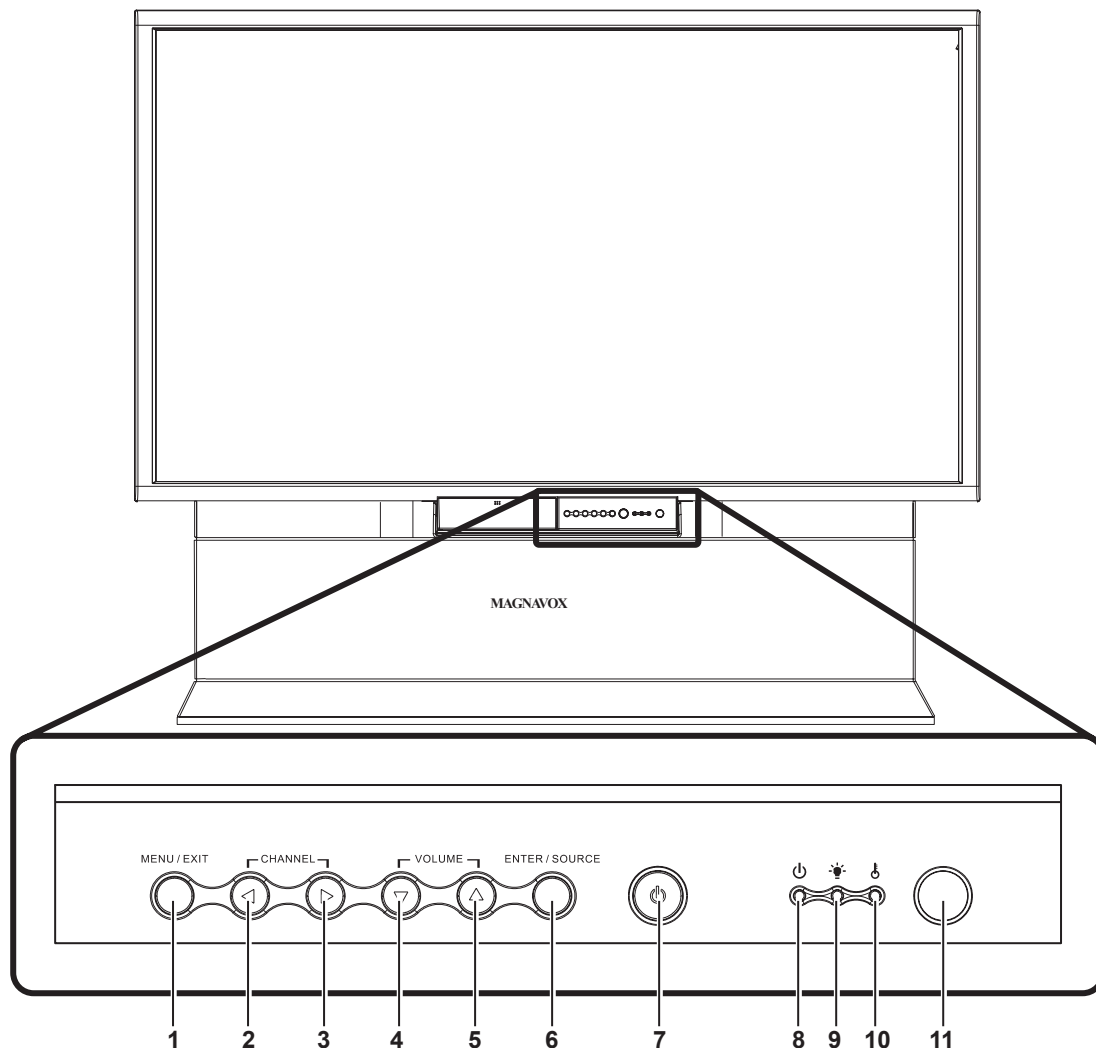
# Información general del televisor

Las siguientes secciones le ayudarán a familiarizarse con los componentes del televisor. Consulte esta sección antes de llevar a cabo conexión alguna.

## Panel frontal

El panel frontal y los LED indicadores se encuentran en el panel frontal del televisor.

### LED y botones del panel frontal



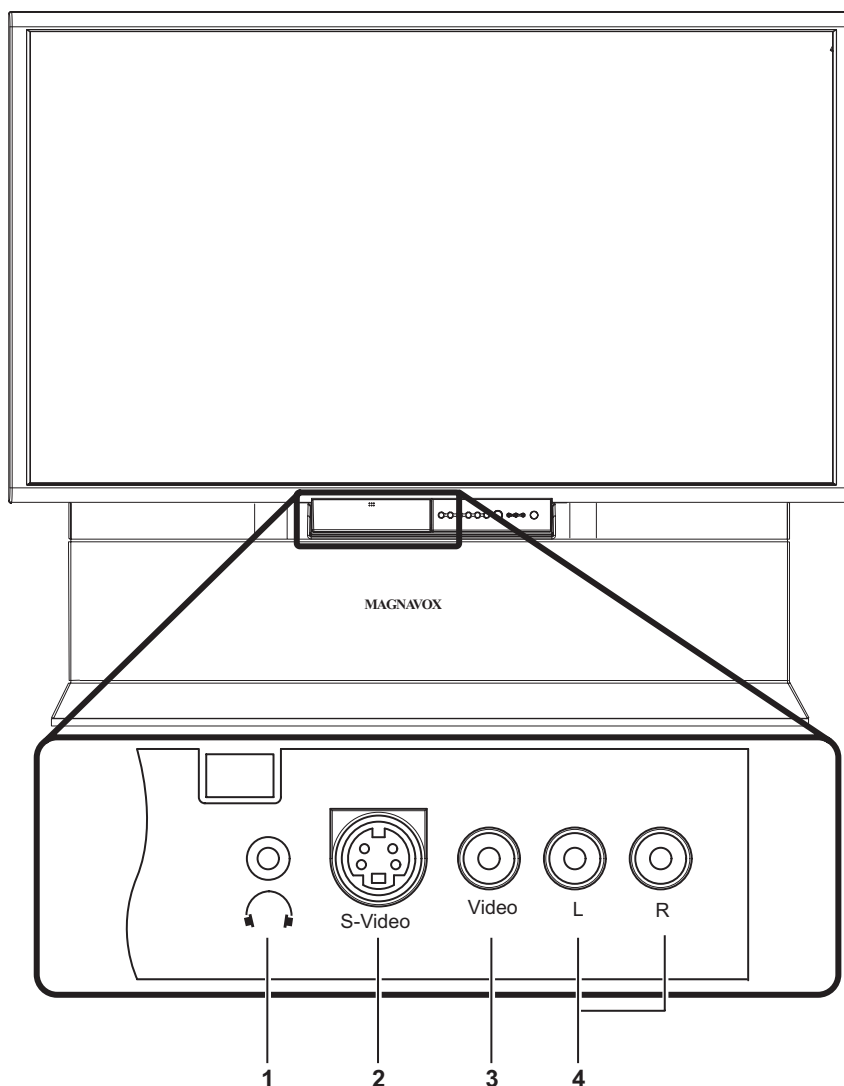
Componente	Función
1. MENÚ/SALIR	Permite habilitar el menú en pantalla OSD o salir del mismo.
2. BAJAR CANAL	Permite cambiar al canal anterior.
3. SUBIR CANAL	Permite cambiar al canal siguiente.
4. BAJAR VOLUMEN	Permite bajar el volumen.
5. SUBIR VOLUMEN	Permite subir el volumen.

## Información general del televisor

Componente	Función
6. ACEPTAR/FUENTE	<ul style="list-style-type: none"><li>• Cuando el menú OSD está habilitado, permite confirmar la selección de la opción de menú.</li><li>• Cuando el menú OSD está deshabilitado, permite cambiar secuencialmente todas las fuentes de entrada.</li></ul>
7. ENCENDIDO	Permite encender o apagar el televisor.
8. Indicador de encendido	<ul style="list-style-type: none"><li>• Rojo: espera</li><li>• Rojo con parpadeo: el sistema se está enfriando</li><li>• Estado del indicador de alimentación en el encendido.</li><li>• Verde: sistema encendido</li><li>• Al apagarse, el LED parpadea en rojo y verde durante 10 segundos, luego parpadea en color rojo durante unos 40 segundos y, por último, permanece iluminado en color rojo cuando el sistema se apaga.</li></ul>
9. Indicador de la lámpara	Error de la lámpara (rojo).
10. Indicador de temperatura	Rojo: temperatura interna demasiado alta.
11. Receptor de infrarrojos (IR)	Recibe las señales de control del mando a distancia.

# Información general del televisor

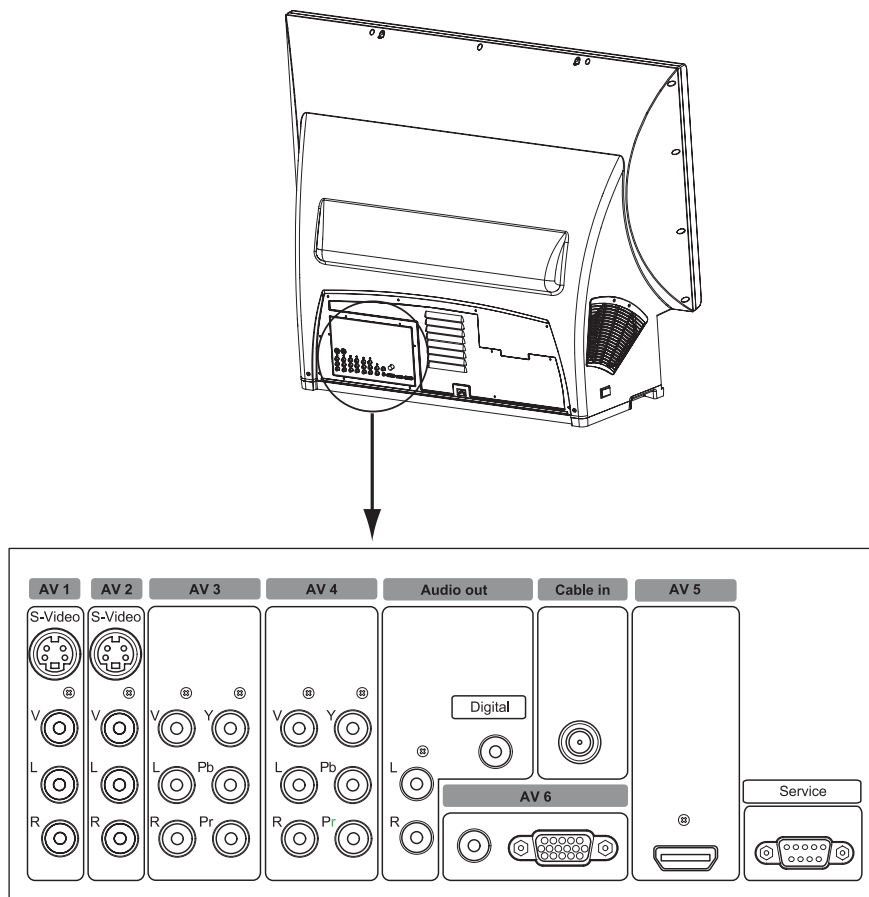
## Conectores del panel frontal



Componente	Función
1. Auriculares	Permite conectar los auriculares para escuchar el audio.
2. S-Video	Permite conectar dispositivos como una cámara, una consola de juegos o un reproductor de DVD para ver vídeo.
3. Video	Permite conectar un dispositivo de vídeo con salida de vídeo compuesto como por ejemplo una unidad VCR.
4. Audio I/D	Permite conectar aquí la salida de audio del dispositivo.

# Información general del televisor

## Panel posterior



El televisor está diseñado para aceptar y mostrar una amplia variedad de programas de vídeo y fuentes de señal, como por ejemplo VCR, reproductores de DVD, dispositivos de TV de alta definición (HD), consolas de videojuego y transmisiones de TV convencionales. El televisor ofrece una imagen y sonido de excelente calidad que proporcionan una experiencia de visualización memorable. La tabla siguiente proporciona un ejemplo de distintos dispositivos que puede acoplar a los conectores del televisor.

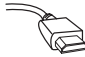




	Entrada/Salida	Dispositivo de ejemplo
Analógica	AV1	Grabadora de videocasetes (VCR, Video Cassette Recorder)
	AV2	Grabadora de vídeo personal (PVR, Personal Video Recorder)
	AV7 (panel frontal)	Consola de juegos o cámara
	Entrada para el cable	Antena
	Salida de audio	Sistema amplificador de audio Salida digital y salida I y D analógica

# Información general del televisor

	Entrada/Salida	Dispositivo de ejemplo
<b>Digital</b>	AV3	Descodificador
	AV4	Reproductor de DVD o consola de juegos HD
	AV5	Dispositivo HDMI
	AV6	PC o equipo portátil con salida VGA

En la tabla siguiente se describen las diferencias entre los distintos tipos de conexión.

## CONCEPTOS BÁSICOS DE LAS CONEXIONES

				
OPTIMA	MEJOR	BUENA	BASICA	BASICA
HDMI	Vídeo de componentes	S-Video	Audio/Vídeo compuesto	RF
La Interfaz multimedia de alta definición (HDMI, High-definition Multimedia Interface) proporciona una conexión de audio y vídeo digital no comprimida. HDMI proporciona la mejor de las conexiones posibles.	Proporciona una calidad de imagen excelente separando las señales de luminosidad del color verde, azul y rojo. Normalmente se utiliza con cables de audio de color rojo y blanco.	Proporciona mejor calidad de imagen que las conexiones de RF y compuesta. Se utiliza con cables de audio de color rojo y blanco.	Cables de vídeo (amarillo) y audio (rojo/blanco) independientes que proporcionan una conexión básica entre la caja de conexiones y otros dispositivos. Nota: El color de las entradas de audio puede ser diferente, por ejemplo rojo/blanco o rojo/negro.	Proporciona una conexión básica para la antena o el cable. Proporciona tanto audio como vídeo.

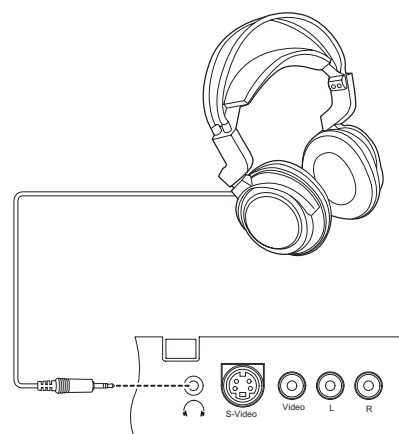
## Realizar las conexiones

En las siguientes secciones se proporcionan instrucciones sobre el modo de conectar varios dispositivos de audio y vídeo al televisor. Asegúrese de apagar todos los dispositivos antes de realizar las conexiones.

La mayoría de los dispositivos de vídeo tienen diferentes tipos de conectores de vídeo. Los más comunes son vídeo compuesto, vídeo de componentes (YPbPr) y S-video. Los conectores de vídeo de componentes proporcionan la mejor calidad de imagen mientras que los de S-video ofrecen una calidad de imagen media. Las señales de vídeo compuesto proporcionan la peor calidad de imagen. Las siguientes secciones proporcionan varios ejemplos para ilustrar la forma de conectar diferentes tipos de dispositivos. Consulte la documentación proporcionada con el dispositivo que desea utilizar para obtener más información.

### Conectar los auriculares

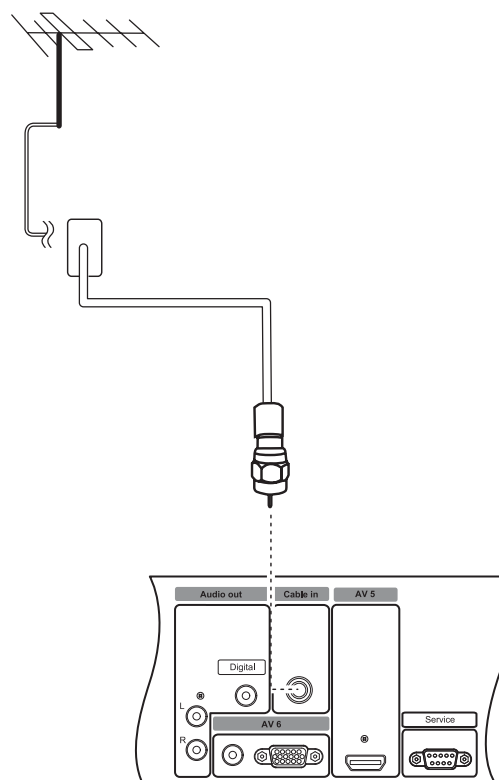
Para escuchar audio, acople los auriculares al conector hembra para auriculares situado en el panel frontal.



### Conectar el televisor por cable o la antena

Para ver programas locales de alta definición, conecte la antena exterior o interior al conector Entrada de cable situada en el panel posterior.

Para ver televisión analógica por cable, conecte el televisor por cable al terminal Entrada de cable situado en el panel posterior.

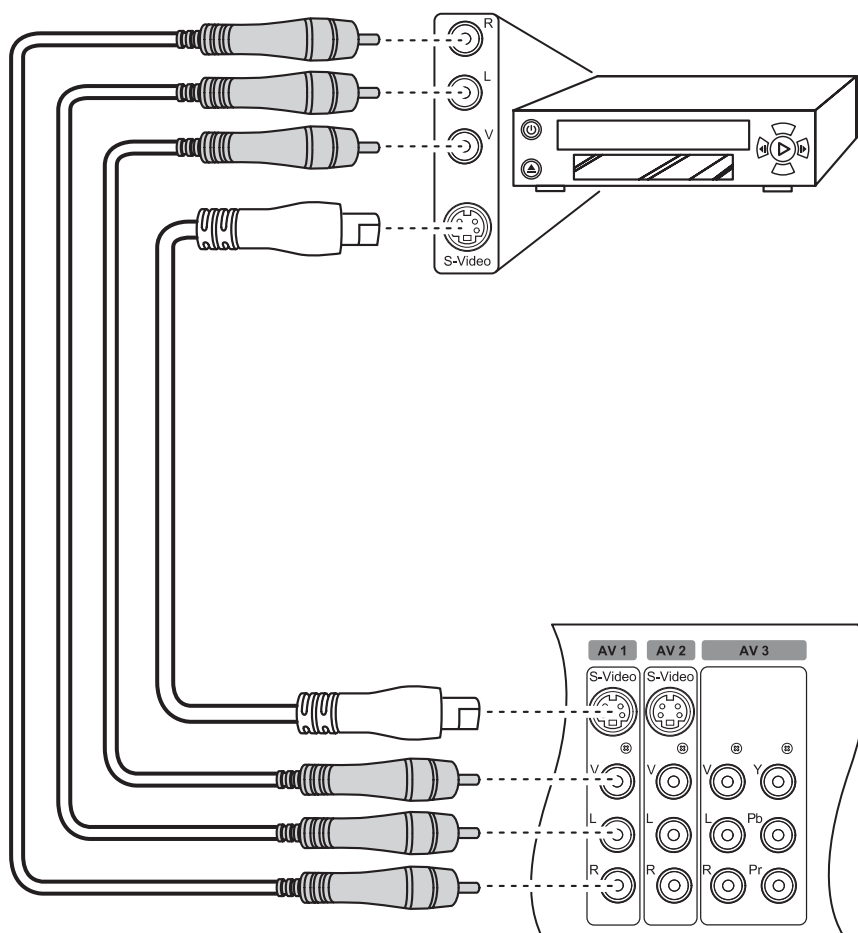


# Realizar las conexiones

## Conectar un equipo VCR

Siga estas instrucciones si desea conectar una grabadora de videocasetes (VCR, Video Cassette Recorder) al televisor mediante la entrada AV1 para ver sus películas favoritas.

1. Enchufe la salida de vídeo del dispositivo VCR al conector **V** de la entrada AV1 mediante un cable RCA. Alternativamente, también puede enchufarla al conector **S-video** de la entrada AV1 mediante un cable de S-video.
2. Enchufe la salida de audio (I/D) del dispositivo VCR a los conectores hembra de audio (I/D) de la entrada AV1 mediante cables RCA.



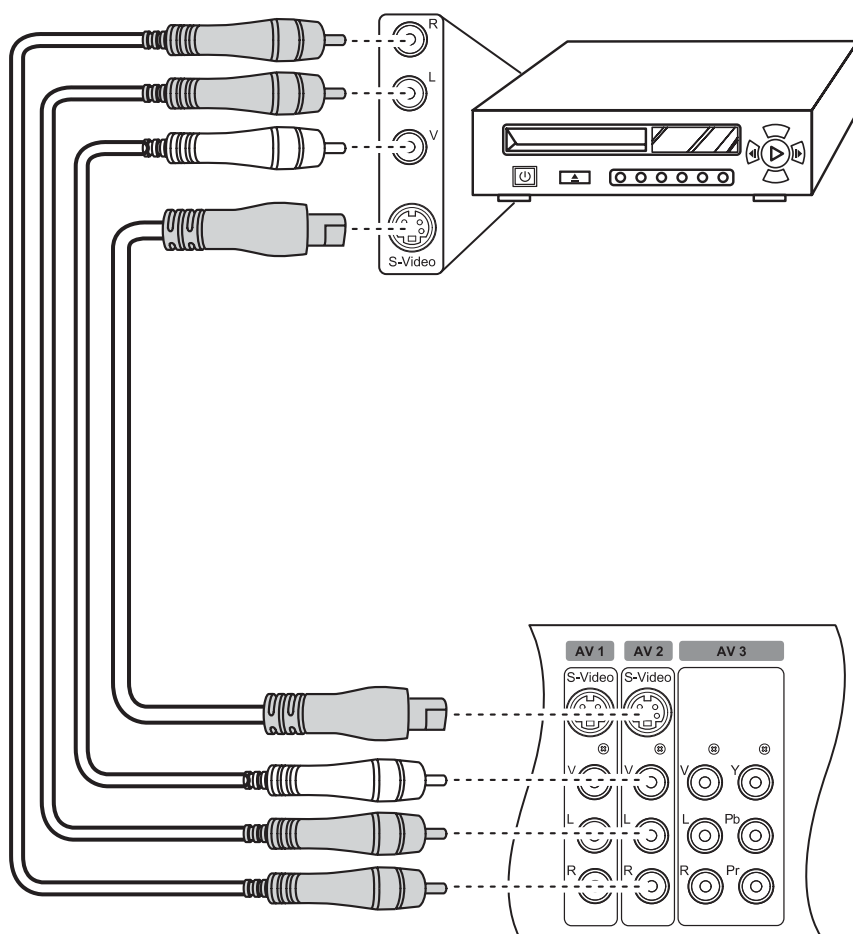


# Realizar las conexiones

## Conectar un equipo PVR

Siga estas instrucciones para conectar una grabadora de vídeo personal (PVR, Personal Video Recorder) al televisor mediante la entrada AV2.

1. Enchufe la salida de vídeo del dispositivo PVR al conector **S-video** de la entrada AV1 mediante un cable de S-video. Alternativamente, también puede enchufarla al conector **V** de la entrada AV2 mediante un cable de RCA.
2. Enchufe la salida de audio (I/D) del dispositivo VCR a los conectores hembra de audio (I/D) de la entrada AV2 mediante cables RCA.

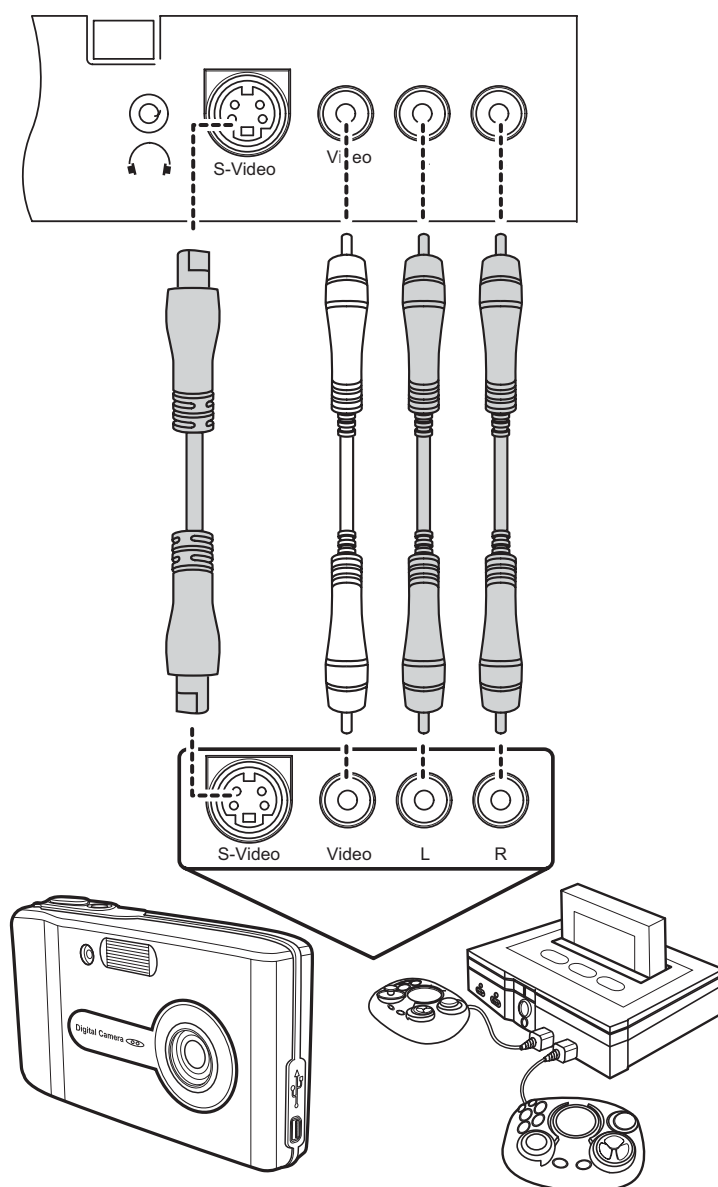


# Realizar las conexiones

## Conectar una cámara o consola de juegos

Para conectar una consola de videojuegos o una cámara a la pantalla, puede utilizar los conectores AV situados en el panel de conectores frontal (AV7). Alternativamente, también puede utilizar los conectores AV situados en el panel posterior.

1. Enchufe la salida de vídeo de la cámara o la consola de juegos al conector **S-video** situado en el panel frontal mediante un cable de S-video. Alternativamente, también puede enchufarla al conector **V** mediante un cable de RCA.
2. Enchufe la salida de audio (I/D) de la cámara o la consola de juegos a los conectores hembra de audio (I/D) mediante cables RCA.

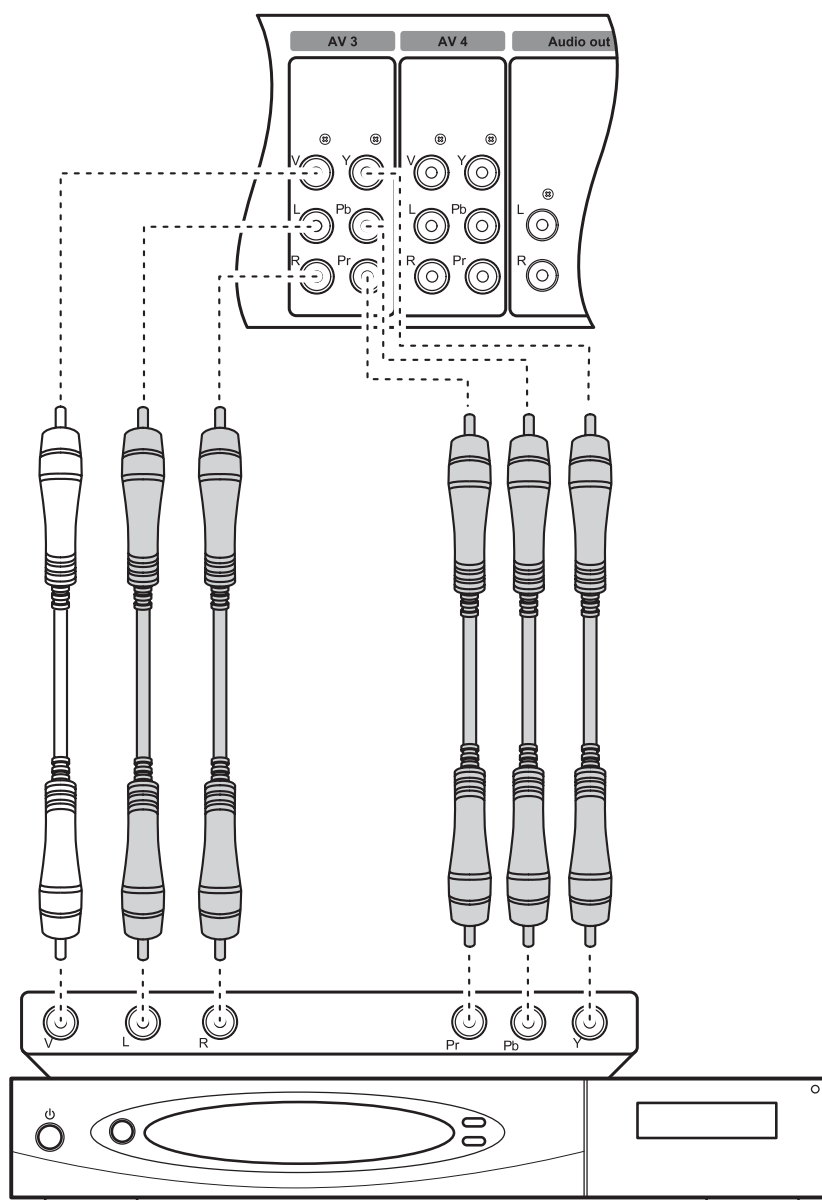


# Realizar las conexiones

## Conectar un descodificador

Puede conectar un descodificador (cable o satélite) al televisor tal y como se indica a continuación:

1. Enchufe la salida de vídeo del descodificador a los conectores de vídeo de **componentes (YPbPr)** de la entrada AV3 mediante cables RCA. Alternativamente, también puede enchufarla al conector **V**.
2. Enchufe la salida de audio (I/D) del descodificador a los conectores hembra de audio (I/D) mediante cables RCA.

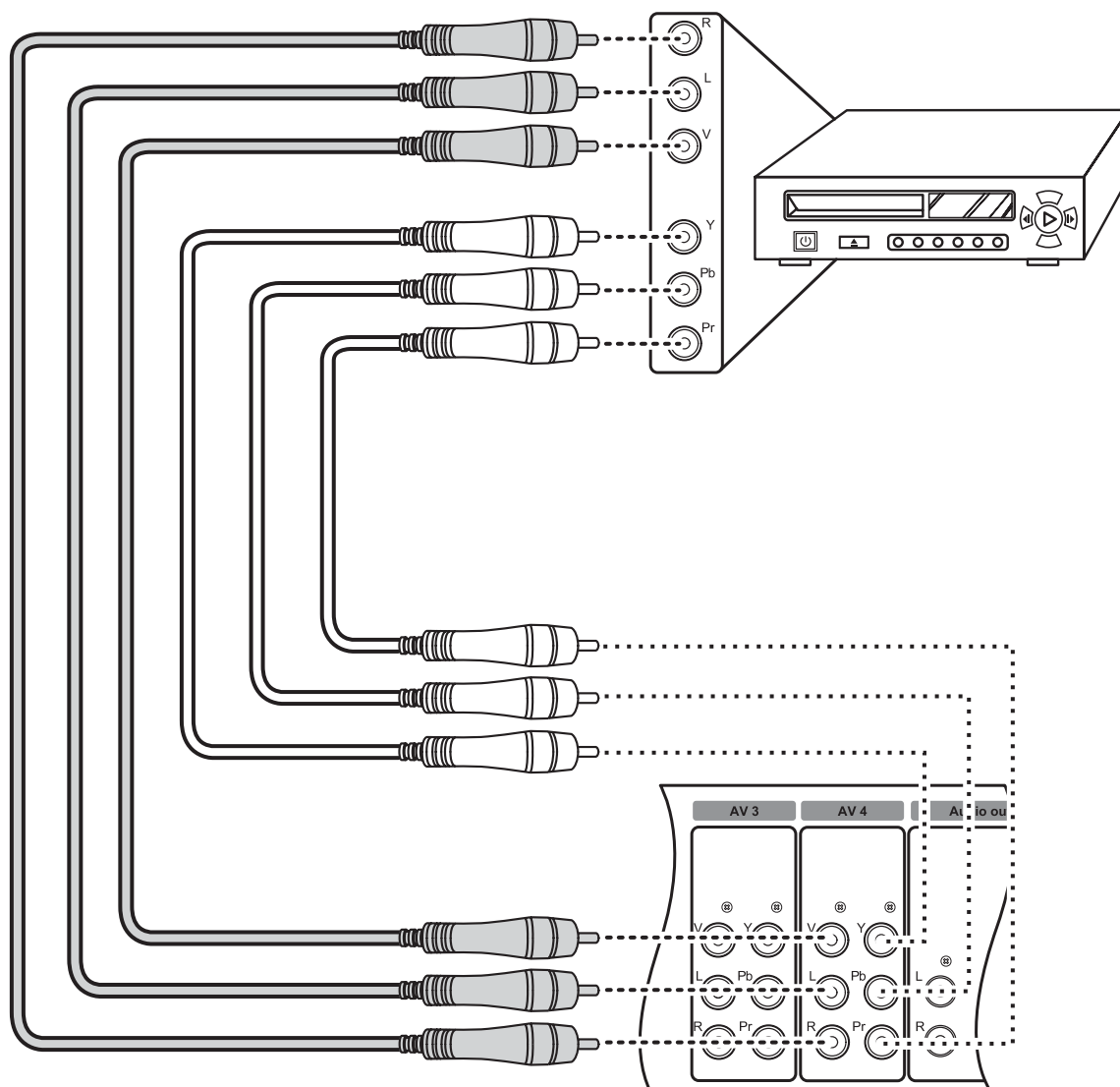


# Realizar las conexiones

## Conectar un reproductor de DVD

Para conectar un reproductor de DVD al televisor, realice el siguiente procedimiento:

1. Enchufe la salida de vídeo del reproductor de DVD al conector **V** de la entrada AV4 mediante un cable RCA. Alternativamente, también puede enchufarla a los conectores de **componentes (YPbPr)**.
2. Enchufe la salida de audio (I/D) del reproductor de DVD a los conectores hembra de audio (I/D) mediante cables RCA.



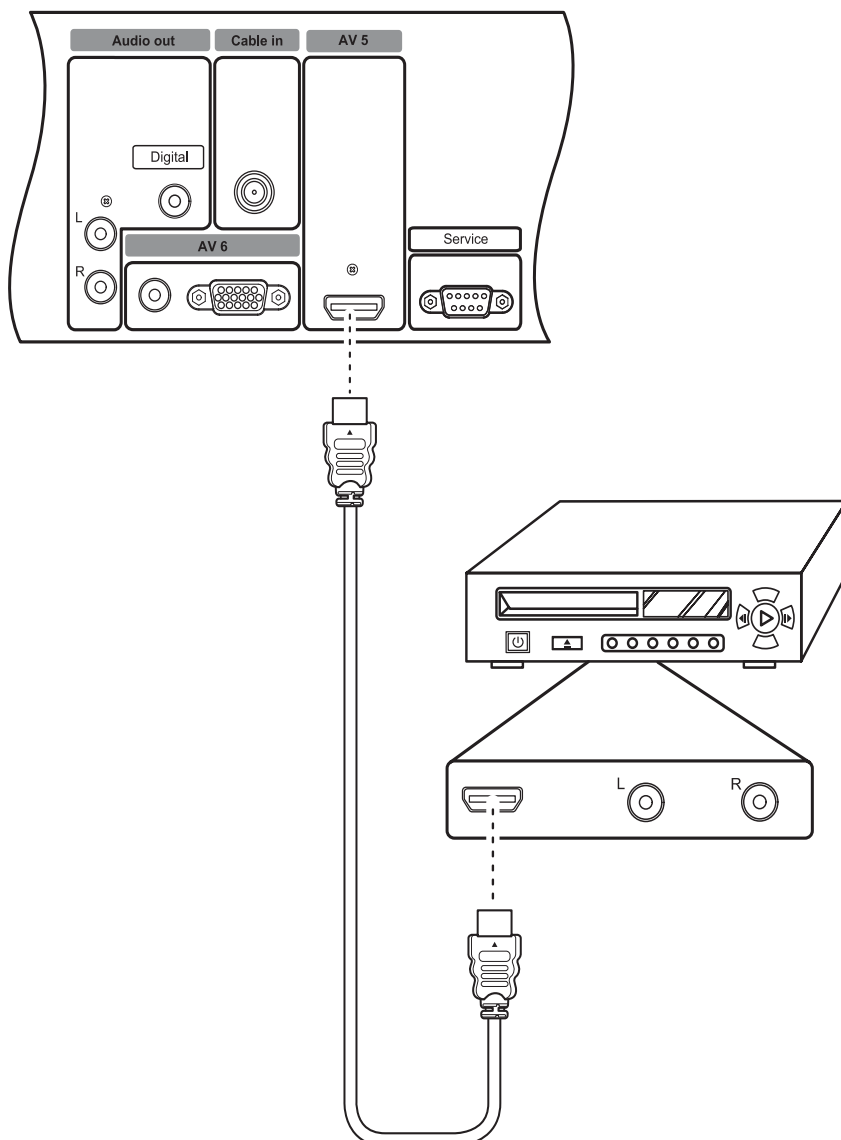
# Realizar las conexiones

## Conectar un reproductor de DVD

Para conectar un reproductor de DVD al televisor mediante la entrada HDMI, enchufe la salida de vídeo de dicho reproductor al conector **HDMI** de la entrada AV5 mediante un cable HDMI.

### Nota

- Si utiliza un cable DVI-a-HDMI, no habrá salida de audio.

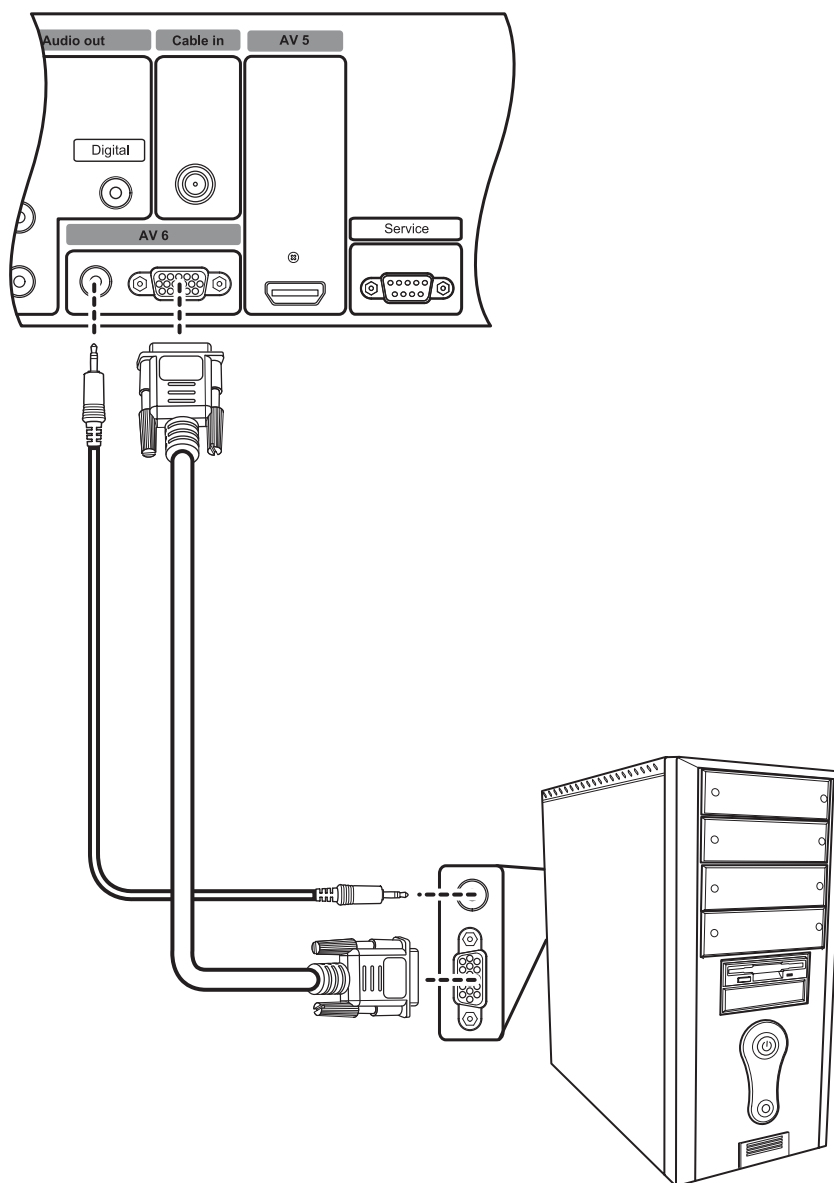


# Realizar las conexiones

## Conectar su PC

Utilice el siguiente procedimiento para conectar su PC o equipo portátil al televisor con el fin de utilizar éste como monitor de aquél.

1. Enchufe la salida VGA de su PC al conector **VGA** de la entrada AV6 mediante un cable VGA.
2. Enchufe la salida de audio (Salida de audio) de su PC al conector hembra de audio de la entrada AV6 mediante un cable de audio.

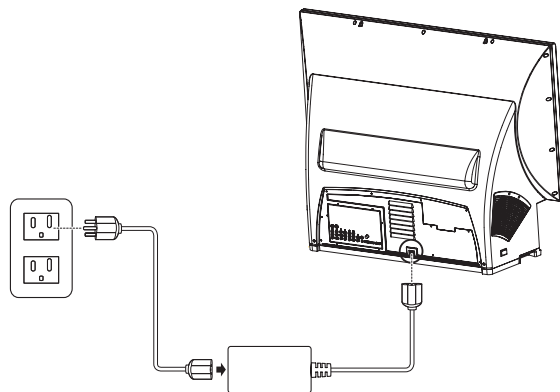


# Usar el televisor

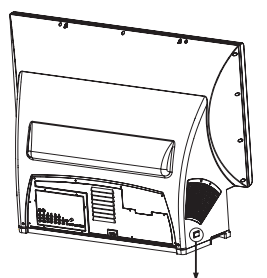
## Encender el televisor

Para encender el televisor, realice el siguiente procedimiento:

1. Conecte el cable de alimentación al televisor TV tal y como se muestra en la figura y enchufe dicho cable a una toma de corriente eléctrica disponible.



2. Coloque el conmutador situado en el lateral izquierdo de la pantalla en la posición de encendido.



**Interruptor de encendido**

3. Presione el botón de encendido situado en el panel frontal o en el mando a distancia para encender el televisor. El televisor se encenderá cuando termine el proceso de calentamiento al cabo de unos 30 segundos.

### Nota

- Si el mando a distancia y el panel de control no funcionan, asegúrese de que el interruptor de alimentación situado en la parte posterior del televisor se encuentra en la posición ENCENDIDO.
- En entornos muy silenciosos, puede escuchar un ligero zumbido procedente del sistema de refrigeración del equipo, lo cual forma parte de su funcionamiento normal.

## Apagar el televisor

Para apagar el televisor, presione el botón de encendido situado en el panel frontal o en el mando a distancia. La pantalla se volverá negra inmediatamente pero tardará aproximadamente 1 minuto en enfriarse y, acto seguido, se apagará por completo.

## Usar el televisor

Excepto en casos de emergencia, no se recomienda utilizar el interruptor de alimentación principal para apagar el sistema. La vida de la lámpara se puede reducir considerablemente si no se permite al sistema que se enfríe adecuadamente apagándolo súbitamente mediante dicho interruptor.

### Notas

- A no ser que no vaya a utilizar el televisor durante un prolongado período de tiempo, puede dejar el interruptor de alimentación principal en la posición ENCENDIDO sin que consuma mucha energía.
- Después de apagar el televisor, el LED de encendido parpadeará en rojo y verde durante 10 segundos, luego parpadeará en color rojo durante unos 40 segundos y, por último, permanecerá iluminado en color rojo cuando el sistema se apague. Cuando el LED parpadee en color rojo, el televisor se encontrará en la fase final de enfriamiento y el sistema no responderá a ninguna orden del mando a distancia ni a los botones del panel frontal. Espere a que el LED de encendido deje de parpadear durante 1 minuto aproximadamente antes de encender de nuevo el televisor.

## Cambiar la fuente de entrada

Después de encender el televisor, seleccione la fuente de entrada adecuada mediante los botones del panel frontal o del mando a distancia, tal y como se describe a continuación:

- Presione los botones **ATV**, **DVI/HDMI**, **YPbPr**, **DTV**, **AV**, **SV** o **VGA** del mando a distancia para cambiar a la entrada respectiva.
- Presione el botón **ACEPTAR/FUENTE** del panel frontal del televisor repetidamente para recorrer todas las fuentes de entrada.
- Presione el botón **FUENTE** del mando a distancia para seleccionar la fuente en el menú en pantalla. Una lista de fuentes de entrada aparecerá en la pantalla. Seleccione la entrada apropiada mediante los botones de dirección y presione el botón **ACEPTAR** del mando a distancia para mostrar la señal de entrada.



## Cambiar de canal

Utilice uno de los siguientes métodos para cambiar de canal:

- Presione los botones Subir canal o Bajar canal del panel frontal o del mando a distancia para pasar al canal anterior o siguiente.
- Presione los botones numéricos del mando a distancia para especificar directamente un canal.

## Ajustar el volumen

Para ajustar el volumen, realice el siguiente procedimiento:

- Presione los botones Subir volumen o Bajar volumen del panel frontal o del mando a distancia para subir o bajar el volumen.
- Presione el botón Silencio (consulte la página 4) para deshabilitar el volumen. Presione de nuevo el botón para restaurar el sonido.



## Utilizar los menús OSD

Los menús en pantalla (OSD, On-Screen Display) permiten personalizar el audio, el vídeo y otro tipo de configuración del televisor según sus preferencias. Presione el botón **MENÚ** del panel frontal o del mando a distancia para ver el menú OSD. Utilice los botones **▼ ▲ ◀ ▶** para desplazarse por los elementos del menú y presione el botón **ACEPTAR** para seleccionar uno de ellos. Presione el botón **MENÚ** de nuevo para salir del menú. Consulte las siguientes secciones para conocer más detalles de las distintas opciones de menú.

### Menú Imagen

El menú Imagen permite ajustar la imagen conforme al tipo de programa que esté viendo. El elemento **Imagen int.** proporciona cuatro opciones predefinidas para la configuración de la imagen: Personal, Dinámico, Natural y Cine. También puede ajustar manualmente la configuración de la imagen (por ejemplo el brillo, el contraste, la saturación, etc.) según sus preferencias.

En la tabla siguiente se describen los elementos del menú Imagen.



Componente	Función	Intervalo / Opciones
<b>Imagen int.</b>	Proporciona cuatro opciones predefinidas conforme a distintos tipos de programas.	Personal, Dinámico, Natural y Cine
<b>Brillo</b>	Permite ajustar el brillo total de todos los colores.	0 ~ 100
<b>Contraste</b>	Permite cambiar la relación entre las áreas muy oscuras y muy claras de la imagen.	0 ~ 100
<b>Nitidez</b>	Permite cambiar la nitidez de los bordes de la imagen.	0 ~ 15
<b>Temp.</b>	Permite ajustar la temperatura de color o la calidez de la imagen. Una imagen con colores cálidos tendrá más matices rojizos.	Cál., Normal, Fría
<b>Matiz</b>	Permite modificar el matiz o el color dominante de la imagen.	0 ~ 100
<b>Saturación</b>	Permite ajustar la intensidad de la imagen.	0 ~ 100

## Menú Sonido

El menú Sonido le ayuda a ajustar la configuración de audio en función del tipo de programa que esté viendo. La opción **Sonido int.** proporciona cuatro opciones predefinidas para la calidad del sonido: Personal, Mús., Cine y Voz. También puede ajustar la configuración de sonido manualmente según sea necesario.

En la siguiente tabla se describen los elementos del menú Sonido.



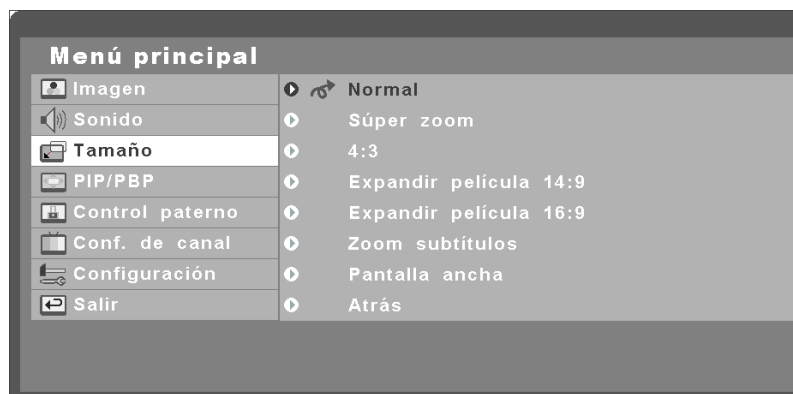
Componente	Función	Intervalo / Opciones
<b>Sonido int.</b>	Proporciona cuatro opciones predefinidas conforme a distintos tipos de programas.	Personal, Mús., Cine y Voz
<b>Agudos</b>	Permite ajustar la cantidad de componentes de alta frecuencia del audio.	0 ~ 100
<b>Graves</b>	Permite ajustar la cantidad de componentes de baja frecuencia del audio.	0 ~ 100
<b>MTS</b>	Permite establecer el modo de audio.	Mono, Estér. y SAP (Secondary Audio Program, es decir, Programa de audio secundario)
<b>Silencio</b>	Permite deshabilitar el audio.	Des y Ac
<b>Balance</b>	Permite ajustar el balance entre los altavoces izquierdo y derecho.	0 ~ 100

† MTS solamente está disponible cuando la señal de entrada es analógica.

# Utilizar los menús OSD

## Menú Tamaño

El menú Tamaño proporciona varias opciones de tamaño o de relación de aspecto de la imagen de vídeo.



Están disponibles las siguientes opciones:

Componente	Función
<b>Normal</b>	La imagen se amplía para ocupar toda el área de la pantalla.
<b>Súper zoom</b>	En el modo Súper zoom, la imagen se amplía no linealmente en dirección horizontal y se comprime no linealmente en dirección vertical.
<b>4:3</b>	Este formato ajusta el tamaño de la imagen a 960 x 720 píxeles. Las partes no utilizadas de la pantalla se muestran en negro.
<b>Expandir película 14:9</b>	Permite expandir la imagen para eliminar las barras de color negro.
<b>Expandir película 16:9</b>	Permite expandir la imagen para eliminar las barras de color negro.
<b>Zoom subtítulos</b>	Permite aplicar zoom en el área de los subtítulos.
<b>Pantalla ancha</b>	Este formato se utiliza para ver películas, con una relación de aspecto de 1,77 : 1.

## Menú PIP/PBP

El menú PIP/PBP proporciona varias opciones para los modos PIP y PBP. El modo PIP permite ver un programa a pantalla completa en una ventana emergente más pequeña que se puede ubicar en cualquiera de las cuatro esquinas de la pantalla. La función PBP divide el área de visualización en dos mitades, lo que permite ver simultáneamente dos programas en dos ventanas situadas una junto a la otra. Consulte la tabla siguiente para conocer más detalles de los distintos elementos del menú.



Componente	Función	Intervalo / Opciones
<b>Modo</b>	Permite habilitar las opciones Único, PIP o PBP.	Único, PIP y PBP
<b>Posic. OSD</b>	Permite establecer la posición de la ventana PIP en una de las cuatro esquinas de la pantalla.	Arriba a la izquierda, Arriba a la derecha, Abajo a la derecha y Abajo a la izquierda.
<b>Tamaño PIP</b>	Permite seleccionar el tamaño de la ventana PIP.	Peq., Median. y Grand.
<b>Fte. sonido</b>	Permite seleccionar la fuente de sonido que se va a enviar a los altavoces.	Principal y Secundaria

Consulte las tablas siguientes para obtener información sobre las posibles combinaciones PIP/PBP:

Principal	Ventana secundaria
<b>Componente</b>	S-Video
<b>VGA</b>	Compuesto
<b>DTV</b>	ATV
<b>HDMI</b>	

Ventana secundaria	Principal
<b>Componentes</b>	S-Video
<b>VGA</b>	Compuesto
<b>DTV</b>	ATV
<b>HDMI</b>	

Por ejemplo, si la ventana principal muestra la entrada de señal Componentes, puede seleccionar las entradas S-video, Compuesto o ATV para la ventana secundaria. De forma similar, si la señal principal es la entrada Compuesta, la ventana secundaria puede mostrar las entradas Componentes, VGA, DTV o HDMI.

### Notas

- También puede utilizar los botones PIP/PBP, TAMAÑO PIP, ACTIVA, INTERCAMBIAR y POSICIÓN del mando a distancia para activar y controlar el modo PIP o PBP. Consulte la página 4.
- Utilice el botón INTERCAMBIAR para cambiar los programas entre las ventanas principal y secundaria en el modo PIP/PBP.

# Utilizar los menús OSD

## Menú Control paterno

El menú Control paterno permite limitar el acceso a los programas que pueden contener material desagradable o que no son adecuados para que los vean los niños. El código de acceso predeterminado es 0711.




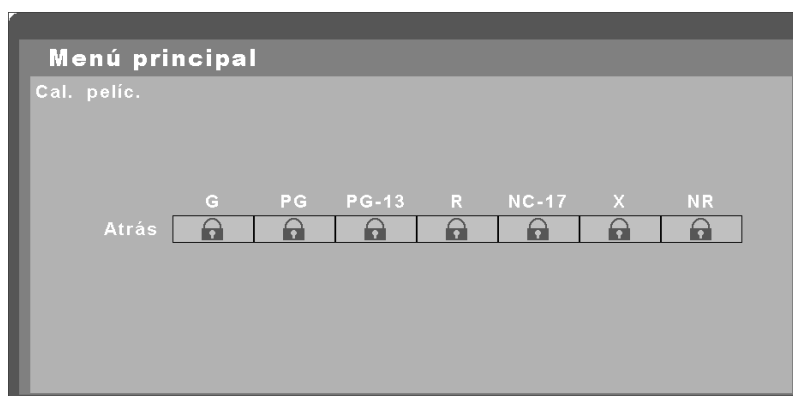
La tabla siguiente proporciona detalles sobre los elementos del menú:

Componentes	Función	Intervalo / Opciones
<b>Hab. bloq.</b>	Permite habilitar el bloqueo del control paterno. Cuando esta opción está habilitada, los canales con contenido desagradable se bloquean y solamente se pueden ver si se especifica una contraseña. Puede bloquear los canales conforme a las calificaciones de películas o de TV de los programas del canal.	Des y Ac
<b>Cal. de pelíc.</b>	Permite bloquear programas en función de sus calificaciones de película. Consulte la sección “Calificación de películas (Cal. pelíc.)” en la página 25 para obtener más detalles.	–
<b>Cal. TV</b>	Permite bloquear programas en función de sus calificaciones de TV. Consulte la sección “Calificación de TV (Cal. TV)” en la página 26.	–
<b>Cam. código</b>	Permite cambiar la contraseña para el bloqueo del control paterno.	Presione los botones numéricos para cambiar la contraseña.
<b>Restablecer</b>	Permite restablecer la configuración predeterminada de fábrica en todos los canales y programas.	–

## Utilizar los menús OSD

### Calificación de películas (Cal. pelíc.)


La calificación de películas proporciona una lista de todas las calificaciones de película (MPAA). Si una calificación está bloqueada tendrá el icono . Presione los botones de dirección para realizar la selección y el botón **ACEPTAR** para activar o desactivar la calificación de película apropiada. Por ejemplo, si desea ver programas que solamente tengan las calificaciones G, PG y PG-13, active el control paterno para el resto de calificaciones de película. La tabla siguiente proporciona más información sobre las calificaciones de película.



Calificación de película	Adecuada para
<b>G</b>	Público en general. Sin restricción.
<b>PG</b>	Control paterno.
<b>PG-13</b>	Los niños menores de 13 años deben estar acompañados por un adulto.
<b>R</b>	Restringido. Los telespectadores deben tener al menos 17 años.
<b>N-17</b>	Sin clasificar. Los telespectadores deben tener al menos 17 años.
<b>X</b>	Sólo para adultos.
<b>NR</b>	Sin clasificar.

# Utilizar los menús OSD

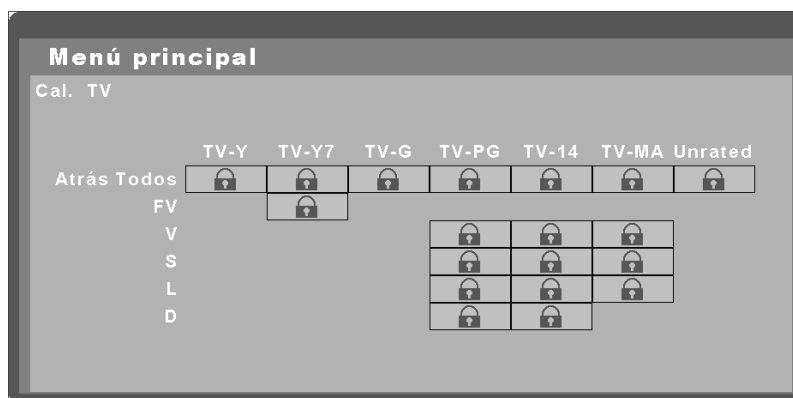
## Calificación de TV (Cal. TV)

La calificación de películas proporciona una lista de todas las calificaciones de TV (FCC). Si una calificación está bloqueada tendrá el icono . Presione los botones de dirección para realizar la selección y el botón **ACEPTAR** para activar o desactivar la calificación de TV apropiada.

Por ejemplo, si desea ver programas que solamente tengan las calificaciones TV-Y, TV-Y7 y TV-G, active el control paterno para el resto de calificaciones de TV.

También puede bloquear el programa

conforme al contenido de TV (FCC). Las tablas siguientes proporcionan más información sobre las calificaciones de TV y las categorías del contenido de TV.



Calificación de TV	Adecuada para
TV-Y	Niños de corta edad
TV-Y7	Niños de al menos 7 años
TV-G	Público en general
TV-PG	Control paterno
TV-14	Telespectadores de al menos 14 años
TV-MA	Adultos
Unrated	Sin calificar.

Categoría del contenido de TV (FCC)	Contenido
V	Violencia
S	Sexo
L	Lenguaje soez
D	Lenguaje con insinuaciones sexuales
FV	Violencia ficticia o en dibujos animados

# Utilizar los menús OSD

## Menú Conf. de canal

El menú Conf. de canal permite configurar y definir canales. Puede establecer el sintonizador para señales de antena o de recepción por cable, buscar canales y editar los canales favoritos.

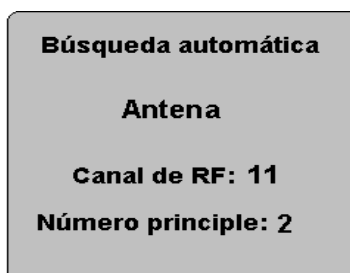


Componente	Función	Intervalo / Opciones
<b>Modo Sint.</b>	Permite especificar la entrada de antena o cable para el sintonizador.	Antena y Cable
<b>Buscar canales</b>	Permite buscar canales automáticamente. Consulte la sección "Buscar canales" que figura a continuación.	—
<b>Buscar manual</b>	Permite buscar manualmente los canales.	2 ~ 69
<b>Editar favoritos</b>	Permite editar la lista de canales favoritos. Consulte la sección "Lista de canales favoritos" en la página 28.	—
<b>Rest. canal</b>	Permite borrar todos los canales agregados a la lista de canales mediante la función Buscar canales. Después de utilizar esta función, utilice la opción Buscar canales para volver a sintonizar canales.	—

## Buscar canales

Utilice esta opción para iniciar la búsqueda de canales automáticamente como se indica a continuación:

1. Seleccione el elemento **Buscar canales** en el menú de configuración de canales (Conf. de canal) y presione ► para iniciar la búsqueda de canales automáticamente. La búsqueda se iniciará
2. Presione **ACEPTAR** en cualquier momento para detener la búsqueda.



Menú OSD de búsqueda automática de señales analógicas



Menú OSD de búsqueda automática de señales digitales



# Utilizar los menús OSD

## Lista de canales favoritos

Puede establecer cualquier canal como favorito y verlo rápidamente mediante el botón **Favoritos** del mando a distancia. Para configurar los canales favoritos, realice el siguiente procedimiento:

1. Seleccione el elemento **Editar favoritos** en el menú de configuración de canales (Conf. de canal) y presione ► para editar la lista de canales favoritos.
2. Presione el botón **Canal +/-** para seleccionar un canal.
3. Utilice los botones de dirección ◀/▶ para seleccionar **Agregar** o **Quitar** para añadir el canal a la lista de canales favoritos o eliminarlo de dicha lista, respectivamente.
4. Presione **Aceptar** para confirmar la selección.



## Menú Configuración

El menú Configuración proporciona varias opciones para personalizar la configuración del televisor.



En la siguiente tabla se describen los elementos del menú:

Componente	Función	Intervalo / Opciones
<b>Tiempo OSD</b>	Permite establecer el tiempo de inactividad durante el cual el menú OSD se mostrará en la pantalla.	5 s, 10 s, 15 s, 20 s, 25 s y 30 s
<b>Idioma</b>	Permite establecer el idioma del menú OSD.	English, Español y Français
<b>Temp inac.</b>	Permite establecer el tiempo después del cual la visualización se desactiva y el televisor entra en el modo de espera.	Des, 15 m, 30 m, 60 m y 90 m
<b>Sub. ocult.</b>	Permite mostrar el menú de subtítulos ocultos. Consulte la sección siguiente para obtener más detalles.	–
<b>Zona de tiempo</b>	Permite establecer la zona horaria en la que se encuentra.	Atlántico, Este, Central, Montañas, Pacífico, Alaska, Hawaii
<b>Horario verano</b>	Permite habilitar y deshabilitar el horario de verano. Cuando esta opción está activada, el reloj se adelanta una hora .	Ac y Des

† Esta selección solamente está disponible cuando la señal de entrada es digital.

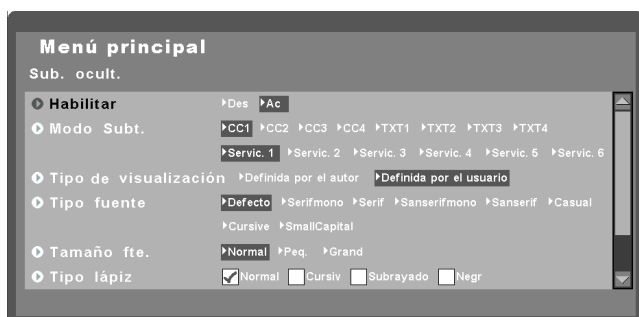
# Utilizar los menús OSD

## Menú Sub. ocult.

El menú de subtítulos ocultos permite personalizar los subtítulos ocultos según sus preferencias. Se pueden mostrar mensajes de texto sin formato mientras se ven las señales de RF analógicas. Los subtítulos digitales se pueden personalizar asignándoles color, tamaño de fuente, opacidad y otros parámetros disponibles con las señales de transmisión digitales.



**Menú de subtítulos ocultos (modo analógico)**



**Menú de subtítulos ocultos (modo digital)**

La tabla siguiente proporciona una descripción del menú de subtítulos ocultos en el modo digital:

Componente	Función	Intervalo / Opciones
<b>Habilitar</b>	Permite activar los subtítulos ocultos.	Ac y Des
<b>Modo Subt.</b>	Permite seleccionar un subtítulo oculto o modo de servicio.	CC1 ~ CC4, TXT1 ~ TXT4, Serv. 1 ~ Serv. 6
<b>Tipo de visualización</b>	Cuando se selecciona la opción Definida por el usuario, el usuario puede establecer las características del menú de subtítulos ocultos que se mostrarán en la opción Tipo de visualización. Si se selecciona la opción Definida por el autor, estos elementos no estarán disponibles.	Definida por el autor y Definida por el usuario
<b>Tipo fuente</b>	Permite especificar una fuente.	Defecto, Serifmono, Serif, Sanserifmono, Sanserif, Casual, Cursive, SmallCapital
<b>Tamaño fte.</b>	Permite especificar el tamaño de fuente.	Normal, Peq. y Grand.
<b>Tipo lápiz</b>	Permite seleccionar un tipo de lápiz.	Normal, Cursiv, Subrayado y Negr

## Utilizar los menús OSD

Componente	Función	Intervalo / Opciones
<b>Color texto</b>	Permite seleccionar el color del texto.	Negro, Blanc, Roj, Verde, Azul, Amaril, Magenta, Cian
<b>Opac. texto</b>	Permite establecer la opacidad del texto.	Sólid, Transpar, Traslúcida, Flash
<b>Color fondo</b>	Permite especificar un color de fondo.	Negro, Blanc, Roj, Verde, Azul, Amaril, Magenta, Cian
<b>Opac. fondo</b>	Permite establecer la opacidad del fondo.	Sólid, Transpar, Traslúcida, Flash
<b>Tipo borde</b>	Permite establecer el tipo de borde.	Ning, Reliev, No reliev, Uniform, Con sombra
<b>Color borde</b>	Permite establecer el color del borde.	Negro, Blanc, Roj, Verde, Azul, Amaril, Magenta, Cian

# Reemplazar la lámpara interna

Para reemplazar la lámpara, llame al Centro de atención al cliente de Magnavox al 1-800-705-2000. Un compañero de Magnavox estará encantado de ayudarle.

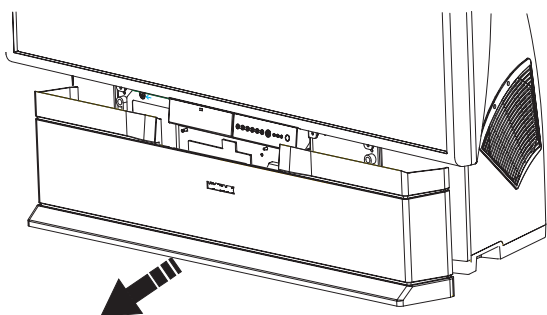
El número de serie de la lámpara de reemplazo de Magnavox es 3122 785 9084.

## ¡Advertencia!

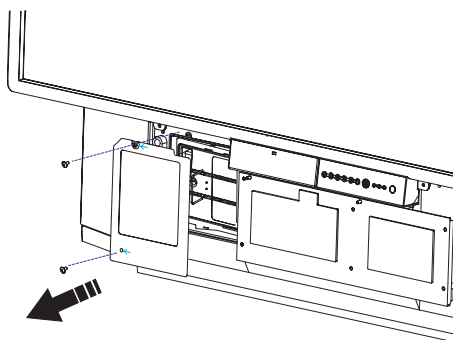


- Apague la unidad y desconéctela antes de reemplazar la lámpara.
- Tenga cuidado para que ningún tornillo ni ningún otro objeto extraño caiga en el interior de la pantalla. Tales objetos podrían provocar un incendio o descargas eléctricas.
- No extraiga la lámpara excepto cuando tenga que reemplazarla. Si no tiene cuidado al manipular la unidad, puede causar daños personales o provocar un incendio.
- No reemplace la lámpara inmediatamente después de apagar la pantalla. La alta temperatura de la lámpara podría causar quemaduras graves. Deje que la lámpara se enfríe al menos durante dos horas después de apagar la pantalla.

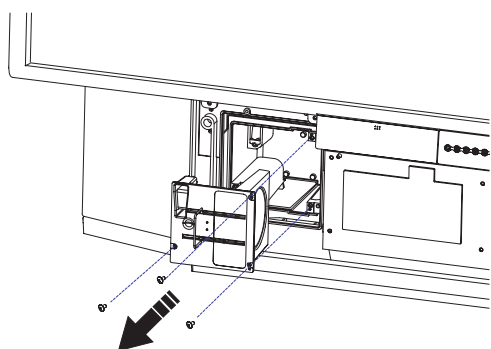
1. Quite la tapa decorativa frontal.



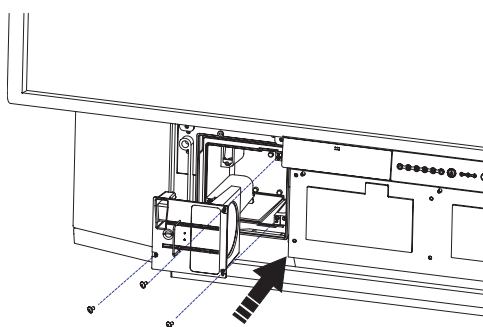
2. Desatornille y extraiga la tapa de protección del módulo de la lámpara.



3. Afloje los tres tornillos de la unidad de la lámpara y extraiga el módulo de ésta.

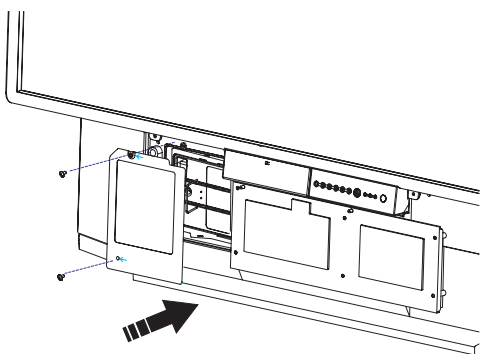


4. Coloque un módulo de lámpara nuevo y vuelva a apretar los tres tornillos de la unidad de la lámpara.

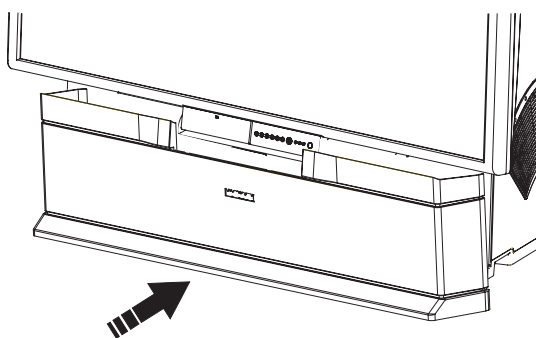


**Nota:** Estos tornillos se pueden aflojar pero no se pueden quitar de la unidad.

5. Vuelva a colocar la tapa de protección y apriete los tornillos.



6. Vuelva a colocar la tapa decorativa frontal.



# Solucionar problemas

<b>Problema</b>	<b>Comprobar</b>
No hay corriente	<ul style="list-style-type: none"><li>• Compruebe si el cable de alimentación está correctamente conectado.</li><li>• Asegúrese de que la toma de corriente funciona correctamente.</li><li>• Asegúrese de que el mando a distancia tiene pilas.</li><li>• Si el mando a distancia y el panel de control no funcionan, asegúrese de que el interruptor de alimentación situado en la parte posterior del televisor se encuentra en la posición ENCENDIDO.</li></ul>
El mando a distancia no funciona	<ul style="list-style-type: none"><li>• Reemplace las pilas.</li><li>• Compruebe si las baterías están correctamente insertadas.</li><li>• Compruebe que el mando a distancia está lo suficientemente cerca de la pantalla.</li><li>• Ajuste el ángulo entre el mando a distancia y la pantalla.</li></ul>
La imagen es borrosa	<ul style="list-style-type: none"><li>• Compruebe si el dispositivo que genera la señal de imagen funciona correctamente.</li><li>• Compruebe si ha establecido la pantalla para recibir la fuente de señal adecuada.</li></ul>
No hay sonido	<ul style="list-style-type: none"><li>• Compruebe si la función Silencio está activada.</li><li>• Compruebe el volumen.</li><li>• Compruebe si el dispositivo que genera la señal de audio está correctamente conectado a la pantalla.</li></ul>
Imagen inestable	<ul style="list-style-type: none"><li>• Compruebe si la tarjeta de vídeo está establecida dentro del intervalo permitido.</li></ul>
Pantalla en blanco	<ul style="list-style-type: none"><li>• Póngase en contacto con el proveedor al que adquirió la pantalla.</li></ul>
Los altavoces emiten un zumbido durante la visualización.	<ul style="list-style-type: none"><li>• Compruebe que el zócalo del orificio con toma de tierra es adecuado.</li></ul>
No hay imagen	<ul style="list-style-type: none"><li>• Compruebe que la fuente de señal está conectada al terminal correcto.</li></ul>
El LED de temperatura se ilumina en color rojo	<ul style="list-style-type: none"><li>• Apague el televisor y deje que se enfríe. Si el LED se sigue iluminado en color rojo, póngase en contacto con el centro de servicio más cercano.</li></ul>
Calidad de imagen pobre	<ul style="list-style-type: none"><li>• Intente cambiar de canal y vea si el problema se soluciona.</li><li>• Ajuste la antena.</li><li>• Compruebe las conexiones de todos los cables.</li></ul>
La imagen muestra ondulaciones verticales	<ul style="list-style-type: none"><li>• Ajuste la antena.</li><li>• Compruebe las conexiones de todos los cables.</li><li>• Si utiliza una unidad VCR, compruebe la función de rastreo (Tracking).</li></ul>
LED de la lámpara iluminado en color rojo	<ul style="list-style-type: none"><li>• Error en la lámpara. Póngase en contacto con su distribuidor más cercano.</li></ul>
El televisor tiene un conmutador	<ul style="list-style-type: none"><li>• Su posición predeterminada es Encendido.</li></ul>
Otros	<ul style="list-style-type: none"><li>• Póngase en contacto con el distribuidor, con el personal de servicio autorizado o llame al número de ayuda de Magnavox 1-800-705-2000.</li></ul>

## Imagen/Pantalla

- Relación de aspecto: pantalla ancha 16:9
- Tamaño de la pantalla en diagonal: 50 pulgadas
- Tecnología de visualización: procesamiento de luz Light DLP™ HD4 con suavizado de imagen
- Relación de contraste: 1500 :1
- Mejora de imagen: exploración progresiva, filtro combinado 3D , detección de modo de película desplegable 3:2, imagen inteligente
- Ángulo de visión (vertical): 120 grados
- Ángulo de visión (horizontal): 160 grados

## Conectividad

- Entrada 1: S-Video y vídeo compuesto + Audio I/D
- Entrada 2: S-Video y vídeo compuesto + Audio I/D
- Entrada 3: YPbPr y vídeo compuesto + Audio I/D
- Entrada 4: YPbPr y vídeo compuesto + Audio I/D
- Entrada 5: HDMI
- Entrada 6: PC/VGA (D-Sub de 15 contactos + Audio)
- Entrada 7 (frontal): S-Video y vídeo compuesto + Audio I/D
- Salida (frontal): auriculares
- Entrada de RF: sintonizador combinado ATSC/NTSC
- Salida de audio digital coaxial SPDIF (solamente ATSC)
- Salida de audio analógica (I/D)

## Comodidad

- Controles locales: teclado y panel frontal
- Vida de la lámpara ultra prolongada: > 10000 horas
- Manual del usuario en 2 idiomas: inglés (EE.UU.) y español
- Menú OSD en 3 idiomas: inglés (EE.UU.), español y francés
- Imagen en Imagen (PIP)
- Uso sencillo: controles de sonido e imagen inteligentes
- Instalación sencilla: sintonización digital PLL
- Protección infantil: control paterno, bloqueo infantil
- Tipo de mando a distancia: RC-47SLO (RC-6)

## Sonido

- Potencia de salida (RMS): 2 x 15 W
- Mejora de sonido: sonido inteligente

## Transmisión y recepción del sintonizador

- Sistema de TV: NTSC, ATSC
- Entrada de antena: 75 ohmios tipo F
- Reproducción vídeo: NTSC
- Función de subtítulos ocultos

## Resoluciones de pantalla admitidas

- Formatos de PC:
  - 640 x 480 60 Hz
  - 800 x 600 60 Hz
  - 1024 x 768 60 Hz
  - 1280 x 768 60 Hz
- Formato de vídeo:
  - 720p 60 Hz
  - 1080i 60 Hz
  - 480p 60 Hz
  - 480i 60 Hz

## Alimentación

- Tiempo de encendido en caliente: < 45 s
- Consumo eléctrico: < 300 W
- Consumo eléctrico en el modo de espera: < 3 W
- Consumo eléctrico en modo apagado: < 1 W
- Valores de alimentación: 100-240 V CA, 50-60 Hz

## Dimensiones

- Dimensiones del producto (LxFxA): 118 cm x 38,8 cm x 91,44 cm (46,7" x 15,3" x 36")
- Peso del producto: 51,7 Kg (114 libras)

# MAGNAVOX GARANTÍA LIMITADA

## Un (1) año para mano de obra, un (1) año para piezas y un (1) año para reparación de la pantalla

MAGNAVOX garantiza este producto contra defectos materiales y de mano de obra, sujeto las condiciones descritas a continuación:

### COMPROBANTE DE COMPRA:

Debe tener el comprobante de la fecha de compra para disfrutar del servicio de reparación garantizado en el producto. Un recibo de venta o cualquier otro documento que refleje el producto y la fecha en la que lo adquirió, así como el distribuidor autorizado, servirá como comprobante.

### COBERTURA:

(Si se determina que el producto está defectuoso)

**MANO DE OBRA:** durante un período de un (1) año a partir de la fecha de compra, Magnavox reparará o reemplazará el producto, según lo que estime más oportuno, sin cargo alguno, o abonará los gastos en concepto de mano de obra a cualquier centro de servicio autorizado de Magnavox. Después del período de un (1) año, Magnavox no se hará responsable de los gastos ocasionados.

**PIEZAS:** durante un período de un (1) año a partir de la fecha de compra, Magnavox proporcionará, sin cargo alguno, piezas nuevas o reconstruidas para cambiarlas por las piezas defectuosas. Los centros de servicio autorizados de Magnavox se encargarán de retirar e instalar las piezas durante un (1) año.

**PANTALLA:** durante un período de un (1) año a partir de la fecha de compra, Magnavox proporcionará, sin cargo alguno, un dispositivo de visualización nuevo o reconstruido para cambiarlo por la pantalla defectuosa. Los centros de servicio autorizados de Magnavox se encargarán de retirar e instalar las piezas cubiertas por la garantía de mano de obra especificada. Las pantallas PTV tienen una garantía de sustitución de treinta (30) días.

### LO QUE NO CUBRE LA GARANTÍA

La garantía no cubre:

- Los gastos de mano de obra necesarios para la instalación o configuración del producto, el ajuste de controles del producto para el cliente y la instalación o reparación de los sistemas de antena exteriores del producto.
- La reparación del producto y/o la sustitución de piezas que se deban realizar como consecuencia de una instalación inadecuada, conexiones a fuentes de voltaje inadecuadas, abuso, negligencia, mal uso, accidente, reparación no autorizada u otra causa que esté fuera del control de Magnavox.
- Un producto que requiera modificación o adaptación para que pueda funcionar en cualquier país que no sea aquél para el que se diseñó, fabricó, aprobó y/o autorizó, o la reparación de productos dañados por estas modificaciones.
- Los daños ocasionados al producto durante el envío cuando esté mal empaquetado o los costos asociados al embalaje.
- Producto perdido en el envío y la verificación del recibo sin firma.
- Un producto usado para fines comerciales o institucionales (incluidos, pero sin limitarse a, fines de alquiler).
- Productos vendidos TAL Y COMO ESTÁN o RENOVADOS.

### PARA OBTENER EL SERVICIO DE GARANTÍA EN EE.UU., PUERTO RICO O LAS ISLAS VÍRGENES DE ESTADOS UNIDOS...

Póngase en contacto con el Centro de atención al cliente de Magnavox en:

1-800-705-2000

### PARA OBTENER SERVICIO DE GARANTÍA EN CANADÁ...

1-800-661-6162 (en francés)

1-800-705-2000 (en inglés o español)

EL CLIENTE SERÁ EL RESPONSABLE DE LA REPARACIÓN O SUSTITUCIÓN SEGÚN LAS CONDICIONES DE ESTA GARANTÍA. MAGNAVOX NO SE RESPONSABILIZARÁ DE NINGÚN DAÑO INCIDENTAL O CONSECUENTE POR INCUMPLIMIENTO DE CUALQUIERA DE LAS GARANTÍAS EXPRESAS O IMPLÍCITAS DE ESTE PRODUCTO. EXCEPTO HASTA DONDE LO PERMITA LA LEY, NINGUNA GARANTÍA IMPLÍCITA DE COMERCIABILIDAD O IDONEIDAD PARA UN FIN DETERMINADO DE ESTE PRODUCTO TIENE UNA DURACIÓN LIMITADA RESPECTO A LA DURACIÓN DE ESTA GARANTÍA.

Algunos estados no permiten exclusiones o limitación de daños incidentales o consecuentes, ni limitaciones en la duración de garantías implícitas, de modo que puede que las limitaciones y exclusiones anteriores no sean aplicables. Además, si entra en un acuerdo de contrato con la asociación de Magnavox en el plazo de noventa (90) días desde la fecha de venta, la limitación sobre la duración de una garantía implícita no se aplica.

*Esta garantía le proporciona derechos legales específicos. Puede tener otros derechos que pueden variar en función del estado*

Magnavox, P. O. Box 671539, Marietta, GA. 30006-0026

**MAGNAVOX**

SMART. VERY SMART.